

Finnpipette® F1
Single Channel
Variable & Fixed Volume
Multichannel

Instructions for Use
Bedienungsanleitung
Guide d'utilisation
Instruccions de uso
取扱説明書



This product complies with the European Union Directive 98/79/EC, and it is marked with CE-symbol. If the pipette is used according to this directive, the user shall read the additional information at www.thermo.com/finnpipette or contact the manufacturer.

Product specifications are subject to change without prior notice. Finnpipette® and Finntip® are registered trademarks of Thermo Fisher Scientific Oy.

Dieses Produkt entspricht der Richtlinie 98/79/EG der Europäischen Union und ist mit dem CE-Symbol gekennzeichnet. Wird die Pipette entsprechend dieser Richtlinie verwendet, muss der Anwender die zusätzlichen Informationen auf www.thermo.com/finnpipette lesen oder den Hersteller kontaktieren.

Wir behalten uns das Recht auf unangekündigte Änderungen der Produktspezifikationen vor. Finnpipette® und Finntip® sind eingetragene Warenzeichen der Fa. Thermo Fisher Scientific Oy.

Ce produit est conforme à la directive de l'Union européenne 98/79/CE et porte le marquage CE. Si la pipette est utilisée selon cette directive, l'utilisateur est tenu de contacter le fabricant ou de lire les informations supplémentaires données sur www.thermo.com/finnpipette.

Les spécifications du produit sont sujettes à modification sans avis préalable. Finnpipette® et Finntip® sont des marques déposées de Thermo Fisher Scientific Oy.

Este producto cumple la Directiva de la Unión Europea 98/79/CE y presenta el símbolo CE. Si la pipeta se usa de acuerdo con esta Directiva, el usuario debe leer la información adicional presente en www.thermo.com/finnpipette o ponerse en contacto con el fabricante.

Las especificaciones del producto pueden cambiar sin previo aviso. Finnpipette® y Finntip® son marcas registradas de Thermo Fisher Scientific Oy.

本製品は、欧州連合指令98/79/ECに準拠し、CEマークが表示されています。
ピペットをこの指令に準拠して使用する場合は、弊社ホームページ www.thermo.com/finnpipette にある追加情報をお読みいただき、または弊社までご連絡ください。製品仕様は事前の予告なく変更されることがあります。フィンピペット®とフィンチップ®は、サーモフィッシャーサイエンティフィックの登録商標です。

English

CONTENTS

PRODUCT DESCRIPTION	4
PIPETTE OPERATION	5
PIPETTING TECHNIQUES	5
CALIBRATION AND ADJUSTMENT	6
MAINTENANCE	8
TROUBLE SHOOTING	11
PACKAGE	11
SPARE PARTS	49-55

Deutsch

INHALT

PRODUKTBESCHREIBUNG	12
PIPETTENFUNKTION	13
PIPETTIERMETHODEN	14
KALIBRIERUNG UND JUSTIERUNG	15
WARTUNG	17
FEHLERBEHEBUNG	20
PACKUNG	20
ERSATZTEILE UND ZUBEHÖR	49-55

Français

SOMMAIRE

DESCRIPTION DU PRODUIT	21
UTILISATION DE LA PIPETTE	22
MÉTHODES DE PIPETAGE	22
CALIBRAGE	24
ENTRETIEN	26
EN CAS DE PROBLEME	29
CONDITIONNEMENT	29
PIÈCES DÉTACHÉES	49-55

Español

CONTENIDO

DESCRIPCIÓN DEL PRODUCTO	30
USO DE LA PIPETA	31
TÉCNICAS DE PIPETEO	32
CALIBRACIÓN Y AJUSTE	33
MANTENIMIENTO	35
PAQUETE	38
SOLUCIÓN DE PROBLEMAS	38
PIEZAS DE RECAMBIO	49-55

日本語

目次

製品について	39
ピペットの操作	40
ピペッティングテクニック	40
キャリブレーションと容量調整	41
メンテナンス	43
トラブルシューティング	46
パッケージ	47
保証規定	47
部品及び付属品	49-55

Product description

The Finnpiquette F1 is a continuously adjustable, general purpose micropipette for sampling and dispensing accurate liquid volumes.

It operates on an air displacement principle (i.e. an air interface) and uses detachable, disposable tips.

The adjusted delivery volume is displayed digitally on a readout window in the handle.

The twelve different models of Finnpiquette F1 pipettes cover a volume range from 0,2 µl to 10 ml.

Order No.	Volume Range		Finntip
4641010	0,2 µl	to 2 µl	Flex 10
4641020	0,5 µl	to 5 µl	Flex 10
4641030	1 µl	to 10 µl	Flex 10
4641040	1 µl	to 10 µl	250 Universal, 200 Ext, Flex 300
4641050	2 µl	to 20 µl	50
4641060	2 µl	to 20 µl	250 Universal, 200 Ext, Flex 300
4641070	10 µl	to 100 µl	250 Universal, 200 Ext, Flex 300
4641080	20 µl	to 200 µl	250 Universal, 200 Ext, Flex 300
4641090	30 µl	to 300 µl	300, Flex 300
4641100	100 µl	to 1000 µl	1000, Flex 1000
4641110	0,5 ml	to 5 ml	5 ml
4641120	1 ml	to 10 ml	10 ml, Flex 10 ml Ext

The thirteen different models of Finnpiquette F1 Fixed Volume pipettes cover a volume range from 1 µl to 10 ml.

Order No.	Volume Range		Finntip
4651000	1 µl		Flex 10
4651010	5 µl		Flex 10
4651020	10 µl		250 Universal, 200 Ext, Flex 300
4651030	25 µl		250 Universal, 300, 200 Ext, Flex 300
4651040	50 µl		250 Universal, 300, 200 Ext, Flex 300
4651050	100 µl		250 Universal, 300, 200 Ext, Flex 300
4651060	250 µl		1000, Flex 1000
4651070	500 µl		1000, Flex 1000
4651080	1000 µl		1000, Flex 1000
4651090	2000 µl		5 ml
4651100	3000 µl		5 ml
4651110	5000 µl		5 ml
4651120	10000 µl		10 ml

The ten different models of Finnpiquette F1 Multichannel pipettes cover a volume range from 1 µl to 300 µl.

Order No.	Channel	Volume Range		Finntip
4661000	8	1 µl	to 10 µl	Flex 10
4661010	8	5 µl	to 50 µl	250 Universal, 200 Ext
4661020	8	10 µl	to 100 µl	250 Universal, 200 Ext
4661030	8	30 µl	to 300 µl	300, Flex 300
4661040	12	1 µl	to 10 µl	Flex 10
4661050	12	5 µl	to 50 µl	250 Universal, 200 Ext
4661060	12	10 µl	to 100 µl	250 Universal, 200 Ext
4661070	12	30 µl	to 300 µl	300, Flex 300
4661080	16	1 µl	to 10 µl	Flex 10 (384)
4661090	16	5 µl	to 50 µl	50

Digital display

The adjusted delivery volume is clearly indicated in the large digital display on the handle.



Raw materials

The Finnpiquette F1 is made of mechanically durable and chemically resistant materials.

F1 pipette includes components which contain antimicrobial additive silver sodium hydrogen zirconium phosphate. Silver is known to inhibit the growth of broad spectrum of micro-organisms.

For more information, please contact us at info.pipettes@thermofisher.com.

Common laboratory disinfectants, like 70 % ethanol, can be used without effect to antimicrobial treatment.

Description of tips

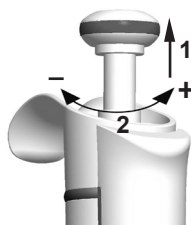
Finntips are recommended for use with the Finnpiquette F1.

They are made of virgin natural colour polypropylene, generally regarded as the only contamination free material suitable for tips. Finntips are also autoclavable (121°C).

Pipette operation

Setting the delivery volume

1. Set the delivery volume using the knob on the top of the pipette. Pull the knob to activate the volume setting.
2. To increase the delivery volume, turn the knob counterclockwise. To decrease the delivery volume, turn it clockwise.
3. Make sure that the desired delivery volume clicks into place.
4. Do not set volumes outside the pipette's specified volume range. Using excessive force to turn the knob outside the range may jam the mechanism and eventually damage the pipette.
5. Lock the volume by pushing the knob down.



ID-tag

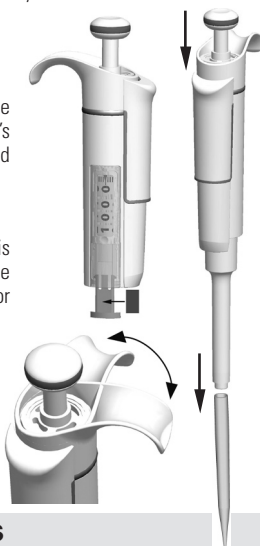
You can mark the pipette application, your initials, the calibration date, etc. on the ID-tag. Remove the pipette's module to replace the tag. Mark the label with a pencil and slide the tag together with the holder back to its slot.

Tip ejection

To help eliminate the risk of contamination, each pipette is fitted with a tip ejector system. To release the tip, point the pipette at suitable waste receptacle and press the tip ejector with your thumb.

Adjusting the finger rest

The finger rest can be adjusted by rotating it 60 degrees to both directions of the center position. Usually right handed operators turn it left (counter clockwise) to get the best possible position for the thumb to eject the tip. See picture.



Pipetting techniques

Push and release the knob slowly at all times particularly when working with high viscosity liquids. Never allow the knob to snap back.

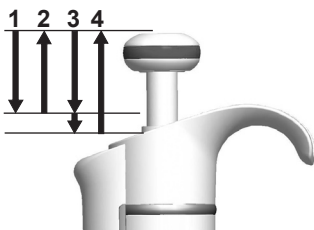
Make sure that the tip is firmly attached to the tip cone. Check for foreign particles in the tip.

Before you begin your actual pipetting work, fill and empty the tip 2-3 times with the solution that you will be pipetting. Hold the pipette in an upright position while aspirating liquid. The finger rest should rest on your index finger. Make sure that the tips, pipette and solution are at the same temperature.

Forward technique

Fill a clean reagent reservoir with the liquid to be dispensed.

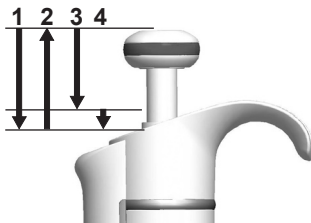
- 1 Depress the knob to the first stop.
- 2 Dip the tip under the surface of the liquid in the reservoir to a depth of about 1 cm and slowly release the knob. Withdraw the tip from the liquid touching it against the edge of the reservoir to remove excess liquid.
- 3 Deliver the liquid by gently depressing the knob to the first stop. After a delay of about one second, continue to depress the knob all the way to the second stop. This action will empty the tip.
- 4 Release the knob to the ready position. If necessary, change the tip and continue pipetting.



Reverse technique

The reverse technique is suitable for dispensing liquids that have a high viscosity or a tendency to foam easily. The technique is also recommended for dispensing very small volumes. Fill a clean reagent reservoir with the liquid to be dispensed.

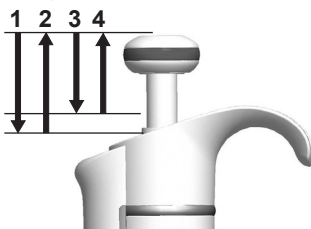
1. Depress the knob all the way to the second stop.
2. Dip the tip under the surface of the liquid in the reservoir to a depth of about 1 cm, and slowly release the knob. This action will fill the tip. Withdraw the tip from the liquid touching it against the edge of the reservoir to remove excess liquid.
3. Deliver the preset volume by gently depressing the knob to the first stop. Hold the knob at the first stop. Some liquid will remain in the tip and this should not be included in the delivery.
4. The remaining liquid should either be discarded with the tip or pipetted back into the container.



Repetitive technique

The repetitive technique offers a rapid and simple procedure for repeated delivery of the same volume. Fill a clean reagent reservoir with the liquid to be dispensed.

1. Depress the knob all the way to the second stop.
2. Dip the tip under the surface of the liquid in the reservoir to a depth of about 1 cm, and slowly release the knob. This action will fill the tip. Withdraw the tip from the liquid touching against the edge of the reservoir to remove excess liquid.
3. Deliver the preset volume by gently depressing the knob to the first stop. Hold the knob at the first stop. Some liquid will remain in the tip and this should not be included in the delivery.
4. Continue pipetting by repeating steps 3 and 4.



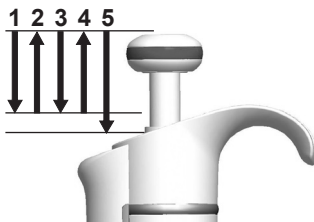
Pipetting of heterogeneous samples

(deproteinization in blood glucose determination, for example)

Use steps 1 and 2 of the forward technique to fill the tip with blood.

Wipe the tip carefully with a dry clean tissue.

1. Immerse the tip into the reagent and depress the knob to the first stop, making sure the tip is well below the surface.
2. Release the knob slowly to the ready position. This will fill the tip. Keep the tip in the solution.
3. Depress the knob to the first stop and release slowly. Keep repeating this procedure until the interior wall of the tip is clear.
4. Finally, depress the knob all the way to the second stop to completely empty the tip.



Calibration and adjustment

All Finnpiettes are factory calibrated and adjusted to give the volumes as specified with distilled or deionized water using the forward pipetting technique. It should be noted that the use of other pipetting techniques may affect the calibration results. The pipettes are constructed to permit re-adjustment for other pipetting techniques or liquids of different temperature and viscosity.

Device requirements and test conditions

An analytical balance must be used. The scale graduation value of the balance should be chosen according to the selected test volume of the pipette:

Volume range	readable graduation
under 10 μl	0.00 1 mg
10-100 μl	0.01 mg
above 100 μl	0.1 mg

Test liquid: Water, distilled or deionized, "grade 3" water conforming ISO 3696. Tests are done in a draft-free room at a constant ($\pm 0.5^\circ\text{C}$) temperature of water, pipette and air between 15°C to 30°C . The relative humidity must be above 50%. Especially with volumes under 50 μl the air humidity should be as high as possible to reduce the effect of evaporation loss. Special accessories, such as the evaporation trap, are recommended.

Procedure to check calibration

The pipette is checked with the maximum volume (nominal volume) and with the minimum volume. A new tip is first pre-wetted 3-5 times and a series of ten pipettings is done with both volumes. A pipette is always adjusted for delivery (Ex) of the selected volume. Use of forward pipetting technique is recommended. The maximum permissible errors are designed for forward method.

Procedure:

1. Do 10 pipettings with the minimum volume.
2. Do 10 pipettings with the maximum volume.
3. Calculate the inaccuracy (A) and imprecision (cv) of both series.
4. Compare the results to the limits in the Table 1.

If the calculated results are within the selected limits, the adjustment of the pipette is correct.

TABLE 1: Maximum permissible errors according ISO8655

Range	Volume μl	Inaccuracy		Imprecision	
		μl	%	s.d. μl	cv%
0,2-2 μl	2	± 0.080	± 4	0.040	2.0
	0.2	± 0.080	± 40	0.040	20.0
0,5-5 μl	5	± 0.125	± 2.5	0.075	1.5
	0.5	± 0.125	± 25	0.075	15
1-10 μl	10	± 0.120	± 1.2	0.080	0.8
	1	± 0.120	± 12	0.080	8.0
2-20 μl	20	± 0.20	± 1.0	0.10	0.5
	2	± 0.20	± 10.0	0.10	5.0
10-100 μl	100	± 0.80	± 0.8	0.30	0.3
	10	± 0.80	± 8.0	0.30	3.0
20-200 μl	200	± 1.60	± 0.8	0.60	0.3
	20	± 1.60	± 8.0	0.60	3.0
30-300 μl	300	± 4.0	± 1.3	1.5	0.5
	30	± 4.0	± 13	1.5	5.0
100-1000 μl	1000	± 8.0	± 0.8	3.0	0.3
	100	± 8.0	± 8.0	3.0	3.0
0,5-5 ml	5000	± 40.0	± 0.8	15.0	0.3
	500	± 40.0	± 8.0	15.0	3.0
1-10 ml	10000	± 60.0	± 0.6	30.0	0.3
	1000	± 60.0	± 6.0	30.0	3.0

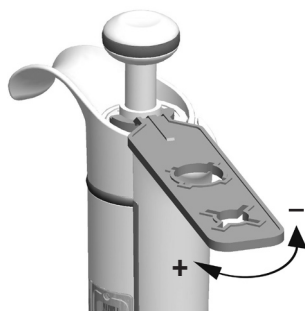
Fixed Volume μl	Inaccuracy		Imprecision	
	μl	%	s.d. μl	cv%
1	± 0.04	± 4.0	0.04	4.0
5	± 0.07	± 1.4	0.07	1.4
10	± 0.09	± 0.9	0.08	0.8
25	± 0.15	± 0.6	0.13	0.5
50	± 0.3	± 0.6	0.2	0.4
100	± 0.4	± 0.4	0.3	0.3
250	± 1.0	± 0.4	0.8	0.3
500	± 1.5	± 0.3	1.5	0.3
1000	± 3.0	± 0.3	0.3	0.3
2000	± 6.0	± 0.3	4.0	0.2
3000	± 9.0	± 0.3	6.0	0.2
5000	± 15.0	± 0.3	10.0	0.2
10000	± 30.0	± 0.3	20.0	0.2

Range	Channel	Volume μl	Inaccuracy		Imprecision	
			μl	%	s.d. μl	cv%
1-10 μl	8, 12, 16	10	± 0.24	± 2.4	0.16	1.6
		1	± 0.24	± 24	0.16	16
5-50 μl	8, 12, 16	50	± 1.0	± 2.0	0.4	0.8
		5	± 1.0	± 20	0.4	8.0
10-100 μl	8, 12	100	± 0.80	± 0.8	0.30	0.3
		10	± 0.80	± 8.0	0.30	3.0
30-300 μl	8, 12	300	± 8.0	± 2.7	3.0	1.0
		30	± 8.0	± 26.7	3.0	10.0

Adjustment

Adjustment is done with the service tool.

- Place the service tool into the openings of the calibration nut at the top of the handle.
- Turn the service tool clockwise to increase, or counterclockwise to decrease the volume.
- After adjustment check the calibration according to the instructions above.



Formulas for calculating results

Conversion of mass to volume

$$V = (w + e) \times Z$$

V = volume (μl)

w = weight (mg)

e = evaporation loss (mg)

Z = conversion factor for mg/ μl conversion

Evaporation loss can be significant with low volumes. To determine mass loss, dispense water to the weighing vessel, note the reading and start a stopwatch. See how much the reading decreases during 30 seconds (e.g. 6 mg = 0.2 mg/s).

Compare this to the pipetting time from taring to reading. Typically pipetting time might be 10 seconds and the mass loss is 2 mg (10 s x 0.2 mg/s) in this example. If an evaporation trap or lid on the vessel is used the correction of evaporation is usually unnecessary.

The factor Z is for converting the weight of the water to volume at test temperature and pressure. A typical value is 1.0032 $\mu\text{l}/\text{mg}$ at 22°C and 95 kPa. See the conversion table on page 48.

Inaccuracy (systematic error)

Inaccuracy is the difference between the dispensed volume and the selected volume of a pipette.

$$A = \bar{V} - V_0$$

$\frac{A}{\bar{V}}$ = inaccuracy
 \bar{V} = mean volume
 V_0 = nominal volume

Inaccuracy can be expressed as a relative value: $A\% = 100\% \times A / V_0$

Imprecision (random error)

Imprecision refers to the repeatability of the pipettings. It is expressed as standard deviation (s) or coefficient of variation (cv)

$$S = \sqrt{\frac{\sum_{i=1}^n (V_i - \bar{V})^2}{n-1}}$$

s = standards deviation
 \bar{v} = mean volume
 n = number of measurements

Standard deviation can be expressed as a relative value (CV) **CV = 100% x S / \bar{V}**

Maintenance

When the Finnpiquette F1 is not in use, make sure it is stored in an upright position. We recommend a Finnpiquette stand for this purpose.

The part # refer to exploded views beginning at page 49.

Short-term service

The pipette should be checked at the beginning of each day for dust and dirt on the outside surfaces of the pipette.

Particular attention should be paid to the tip cone. No other solvents except 70 % ethanol should be used to clean the pipette.

Long-term service, single channel pipettes

If the pipette is used daily it should be checked every three months. The servicing procedure starts with the disassembly of the pipette.

1-1000 μ l pipettes

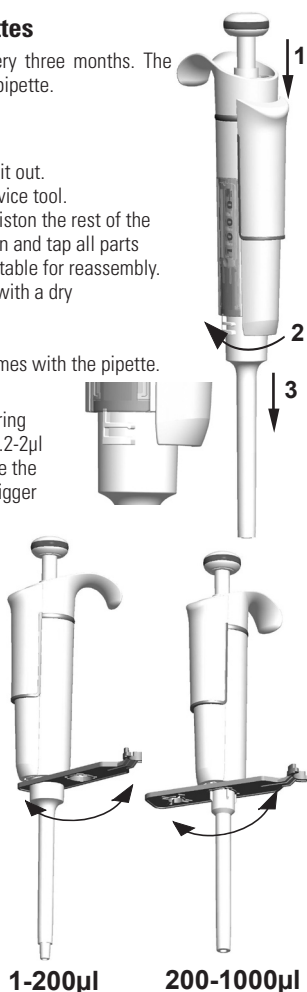
1. Press the tip ejector.
2. Rotate the tip ejector 11 counterclockwise and pull it out.
3. Turn out the tip cone counterclockwise with the service tool.
4. Pull out the piston and other parts. Push out with piston the rest of the piston assembly. Then turn the tip cone upside down and tap all parts from tip cone. Remember keep all parts in order on table for reassembly.
5. Clean the piston, the piston spring and the O-rings with a dry napless cloth.
6. Check the tip cone for foreign particles.
7. Grease the cleaned parts with the lubricant that comes with the pipette.
8. Reassemble the pipette components.

0.2-2 μ l, 0.5-5 μ l & 1-10 μ l: First, slide spring 22, o-ring support 23 and o-ring 24 on the tube 21. With the 0.2-2 μ l model insert the tube 27 into the tube 21. Then slide the spring 13, spring support 16 and tubes 17 and 18, bigger o-ring 19 and smaller o-ring 20 back on the piston.

Compress the spring with fingers by pressing piston and spring support 16 against each other and slide the tube 21 with rest of the parts on the piston. Hold the spring compressed and carefully slide the entire assembly into the tip cone and release the spring.

2-20 μ l: Slide the spring 13, spring support 16 and tubes 17 and 18, bigger o-ring 19 and smaller o-ring 20 back on the piston. Compress the spring with fingers by pressing piston and spring support 16 against each other and slide the bigger o-ring 19, smaller o-ring 20, spring support 21 and the spring 22 (smaller diameter against spring support 21) on the piston. Hold the spring compressed and carefully slide the entire assembly into the tip cone and release the spring.

10-100 μ l & 20-200 μ l: Slide the spring 13, spring support 16 and o-ring 17 back on the piston. Slide the entire assembly into the tip cone.

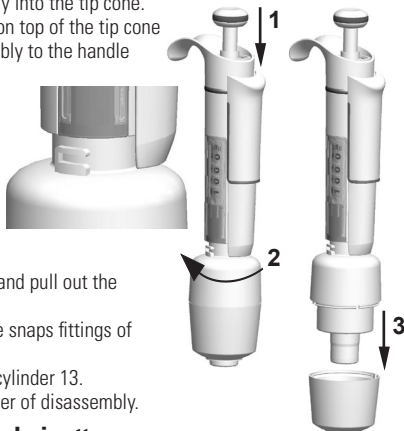


100-1000µl: Put the o-ring 17 and support ring 16 to the tip cone. Slide the spring 13 on the piston and slide the entire assembly into the tip cone.

- All:** Put the spring 15 and support 14 on top of the tip cone and carefully insert the tip cone assembly to the handle and turn it tight by hand.
- Reassemble the tip ejector.

0.5-5ml & 1-10 ml pipettes

- Press the tip ejector.
- Rotate the tip ejector 10 counterclockwise to open it.
- Disassemble the lower part of the tip ejector 14 (snap fitting).
- Turn the cylinder 13 counterclockwise and pull out the tip cone assembly.
- Remove the cylinder 13 by pressing the snaps fittings of the cylinder.
- Clean and regrease the O-ring 12 and cylinder 13.
- Assemble the parts in the opposite order of disassembly.



Long-term service, multichannel pipettes

If the pipette is used daily it should be checked and lubricated every three months.

- Place the service tool head#1 between ring 15 and ejector 23. Push the tool until the parts snap from each other.
- Check that the ejector lever is in up position and pull down the tip ejector part of the module.
Place the service tool head#2 in the hole of adapter tube 46.
- Open the upper end of the tip ejector slightly and remove the tip ejector.
- Screw out the module of the handle.
- Press the spring 13 and remove the locking pieces 12 from the groove. Remove the spring 13.
- Take off the locking claws 44 and 45 and pull out the adapter tube 46 and tube 43.
- Use a screwdriver to remove the four / six screws 20,21 in the module cover and lift off the cover.
- Remove the piston bar 16 and clean the pistons 31 and tip cones 42 with a dry nap-free cloth.
- If needed, service the tip cones:

16channel 1-10µl: The tip cones cannot be serviced, please replace if necessary.

30-300 µl, 10-100µl & 5-50 µl: Open the tip cone by carefully releasing the cover ring 32 from its snap joint with the screwdriver. Remove all the parts from the tip cone. Clean all the parts. If needed, replace the o-rings. Take one piston. Slide the spring 33, cover ring 32 (larger hole), spring 34,, support ring 35, (o-ring 37 bigger 5-50µl) and o-ring 36 (smaller) onto the piston. Grease the o-ring with the lubricant provided in the pipette package. Slide all the parts into the tip cone 30 and close the snap joint of the cover ring 32.

1-10 µl: Open the tip cone by carefully releasing the cover ring 32 from its snap joint with the screwdriver. Remove all the parts from the tip cone. Clean all the parts. If needed, replace the o-rings. Take one piston. Slide spring 33, cover ring 32 (larger hole), support 35, o-ring 36 (bigger), o-ring 37 (smaller) and o-ring support 38 onto the piston. Then slide spring 39, spring support 40 (sharp edges first) and o-ring 41 onto the o-ring support 38. Grease the o-rings with the lubricant provided in the pipette package. Slide all the parts into the tip cone 30 and close the snap joint of the cover ring 32.

- Install the piston bar 16 with pistons and tip cones in the cover and close the cover with the four / six screws 20,21.
- Place the adapter tube 46 and tube 43 on the neck of the module and insert the locking claws 44 and 45.
- Insert spring 13 and locking pieces 12 to the piston rod 16.
- Place the tip ejector on the module.
- Screw the module in the handle and tighten with service tool head#2.
- Push the tip ejector lever down, until you hear a "click".

Service Instructions for Multichannel Pipette Tip Cones

To ensure even performance between all channels in a multichannel pipette, all tip cones have to be changed at the same time, if any of them needs to be changed. Don't mix tip cones of different packages, because one bag contains a matched set of tip cones.

Trouble shooting

The table below lists possible problems and their solutions.

Defect	Possible reason	Solution
<i>Leakage</i>	<i>Tip incorrectly attached</i>	<i>Attach firmly</i>
	<i>Foreign particles between tip and tip cone</i>	<i>Clean tip cones attach new tips</i>
	<i>Foreign particles between the piston, the O-ring and the cylinder</i>	<i>Clean and grease O-ring and cylinder.</i>
	<i>Insufficient amount of grease on cylinder and O-ring</i>	<i>Grease accordingly</i>
	<i>O-ring damaged</i>	<i>Change the O-ring</i>
<i>Inaccurate dispensing</i>	<i>Incorrect operation</i>	<i>Follow instructions carefully</i>
	<i>Tip incorrectly attached</i>	<i>Attach firmly</i>
	<i>Calibration altered: caused by misuse, for example</i>	<i>Recalibrate according to instructions</i>
<i>Inaccurate dispensing with certain liquids</i>	<i>Unsuitable calibration</i>	<i>Recalibrate with the liquids in question</i>
	<i>High viscosity liquids may require recalibration</i>	

Package

The Finnpiquette F1 is shipped in a specially designed package containing the following items:

1. The Finnpiquette
2. Service tool
3. Multichannel service tool
4. Finntip sample
5. Tube of grease
6. Instruction manual
7. Calibration certificate
8. Shelf hanger
9. Two stickers

CAUTION!

The Finnpiquette is designed to allow easy in-lab service. If you would prefer to have us or your local representative service your pipette, please make sure that the pipette has been decontaminated before you send it to us.

Please note that the postal authorities in your country may prohibit or restrict the shipment of contaminated material by mail.

Produktbeschreibung

Finnpipette F1 ist eine stufenlos einstellbare Mehrzweck-Mikropipette zur Entnahme und Ausgabe genauer Flüssigkeitsmengen.

Sie funktioniert auf der Basis des Luftverdrängungsprinzips (d. h. einer Luftschnittstelle) und verwendet abnehmbare Einwegspitzen.

Das einstellbare Ablaufvolumen wird in einer digitalen Anzeige am Griff dargestellt.

Die zwölf Pipettenmodelle von Finnpipette F1 umfassen einen Volumenbereich von 0,2 µl bis 10 ml.

Bestellnr.	Volumen		Finntip
4642010	0,2 µl	bis 2 µl	Flex 10
4642020	0,5 µl	bis 5 µl	Flex 10
4642030	1 µl	bis 10 µl	Flex 10
4642040	1 µl	bis 10 µl	250 Universal, 200 Ext, Flex 300
4642050	2 µl	bis 20 µl	50
4642060	2 µl	bis 20 µl	250 Universal, 200 Ext, Flex 300
4642070	10 µl	bis 100 µl	250 Universal, 200 Ext, Flex 300
4642080	20 µl	bis 200 µl	250 Universal, 200 Ext, Flex 300
4641090	30 µl	bis 300 µl	300, Flex 300
4641100	100 µl	bis 1000 µl	1000, Flex 1000
4641110	0,5 ml	bis 5 ml	5 ml
4641120	1 ml	bis 10 ml	10 ml, Flex 10 ml Ext

Die dreizehn Pipettenmodelle von Finnpipette F1 Fixed Volume umfassen einen Volumenbereich von 1 µl bis 10 ml.

Bestellnr.	Volumen		Finntip
4652000	1 µl		Flex 10
4652010	5 µl		Flex 10
4652020	10 µl		250 Universal, 200 Ext, Flex 300
4652030	25 µl		250 Universal, 300, 200 Ext, Flex 300
4652040	50 µl		250 Universal, 300, 200 Ext, Flex 300
4652050	100 µl		250 Universal, 300, 200 Ext, Flex 300
4652060	250 µl		1000, Flex 1000
4652070	500 µl		1000, Flex 1000
4652080	1000 µl		1000, Flex 1000
4652090	2000 µl		5 ml
4652100	3000 µl		5 ml
4652110	5000 µl		5 ml
4652120	10000 µl		10 ml

Die zehn Pipettenmodelle von Finnpipette F1 Multichannel umfassen einen Volumenbereich von 1 µl bis 300 µl.

Bestellnr.	Channel	Volume Range		Finntip
4662000	8	1 µl	bis 10 µl	Flex 10
4662010	8	5 µl	bis 50 µl	250 Universal, 200 Ext
4662020	8	10 µl	bis 100 µl	250 Universal, 200 Ext
4662030	8	30 µl	bis 300 µl	300, Flex 300
4662040	12	1 µl	bis 10 µl	Flex 10
4662050	12	5 µl	bis 50 µl	250 Universal, 200 Ext
4662060	12	10 µl	bis 100 µl	250 Universal, 200 Ext
4662070	12	30 µl	bis 300 µl	300, Flex 300
4662080	16	1 µl	bis 10 µl	Flex 10 (384)
4662090	16	5 µl	bis 50 µl	50

Digitalanzeige

Die einstellbare Ablaufmenge ist in der großen digitalen Anzeige am Griff zu sehen.



Materialien

Die Finnpipette F1 wird aus mechanisch dauerhaften und chemisch beständigen Materialien hergestellt.

Die Pipette F1 enthält Komponenten, die den antimikrobischen Zusatz Silber-Sodium-Hydrogen-Zirkonium-Phosphat beinhalten. Silber ist bekannt für seine wachstumshemmende Wirkung auf ein großes Spektrum von Mikroorganismen. Für nähere Informationen wenden Sie sich bitte an info.pipettes@thermofisher.com.

Handelsübliche Labordesinfektionsmittel wie 70% Ethanol können verwendet werden, ohne dass die antimikrobielle Wirkung beeinträchtigt wird.

Beschreibung der Spitzen

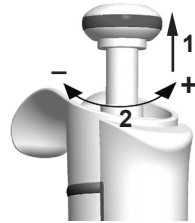
Für die Verwendung mit der Finnpipette F1 werden Finntips empfohlen.

Sie bestehen aus neuem, naturfarbenem Polypropylen, dem allgemein einzigen nicht kontaminierenden Material, das für Spitzen geeignet ist. Finntips sind ebenfalls autoklavierbar (121°C).

Bedienung der Pipette

Einstellen der Ablaufmenge

1. Die Ablaufmenge wird mit dem Knopf am oberen Ende der Pipette eingestellt. Ziehen Sie den Knopf nach oben, um die Mengeneinstellung zu aktivieren.
2. Um die Ablaufmenge zu erhöhen, drehen Sie den Knopf gegen den Uhrzeigersinn. Um die Ablaufmenge zu verringern, drehen Sie ihn im Uhrzeigersinn.
3. Vergewissern Sie sich, dass die gewünschte Mengeneinstellung einrastet.
4. Wählen Sie keine Ablaufmenge, die außerhalb des für die Pipette zulässigen Bereichs liegt.
Durch das gewaltsame Drehen des Knopfs außerhalb des Bereichs kann der Mechanismus beschädigt und die Pipette unbrauchbar werden.
5. Arretieren Sie die Mengeneinstellung, indem Sie den Knopf drücken.



Kennschild

Die Pipette ist mit einem Kennschild versehen, auf dem Sie Anwendung, Kalibrierungsdatum, Ihre Initialen usw. vermerken können. Entfernen Sie zum Austauschen des Kennschildes das Pipettenmodul. Beschriften Sie das Etikett mit Bleistift und schieben Sie das Kennschild zusammen mit der Halterung wieder in den Schlitz.



Auswerfen der Spitze

Um die Gefahr einer Kontamination auszuschließen, ist jede Pipette mit einem Spitzen-Auswurfsystem ausgestattet. Um die Spitze zu lösen, halten Sie die Pipette über einen geeigneten Abfallbehälter und drücken Sie den Spitzenauswerfer mit dem Daumen nach unten.



Anpassung der Fingerstütze

Die Fingerstütze kann von der Mittelposition in beide Richtungen um 60° gedreht werden. Für Rechtshänder empfiehlt es sich, die Stütze ein Stück weit nach links zu drehen (gegen den Uhrzeigersinn), um die bestmögliche Position für den Daumen zum Auswerfen der Spitze einzustellen. Siehe Abbildung.

Pipettiermethoden

Das Drücken und Loslassen des Bedienungsknopfes muss stets langsam erfolgen, insbesondere wenn mit hochviskosen Flüssigkeiten gearbeitet wird. Achten Sie darauf, dass der Bedienungsknopf nie zurückschnappt.

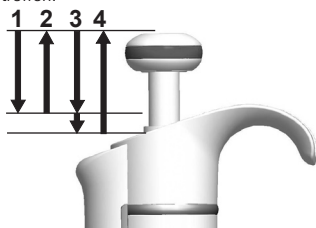
Stellen Sie sicher, dass die Spitze fest in der Spitzhalterung sitzt. Kontrollieren Sie die Spitze auf Fremdkörper.

Bevor Sie mit dem Pipettieren beginnen, füllen und entleeren Sie die Spitze 2 - 3 Mal mit der Lösung, die Sie pipettieren wollen. Halten Sie die Pipette beim Ansaugen der Flüssigkeit senkrecht. Ihr Zeigefinger sollte auf dem griffigen Bereich liegen. Achten Sie darauf, dass die Spitze, die Pipette und die Lösung dieselbe Temperatur aufweisen.

Vorwärtsmethode

Füllen Sie ein sauberes Reagenzglas mit der Flüssigkeit, die pipettiert werden soll.

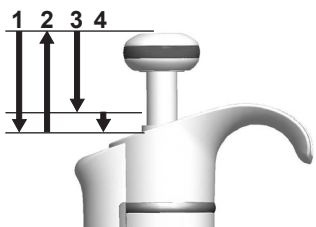
1. Drücken Sie den Knopf bis zum ersten Anschlag.
2. Tauchen Sie die Spitze ca. 1 cm unter die Oberfläche der Flüssigkeit im Reagenzglas und lassen Sie den Knopf langsam los. Nehmen Sie die Spitze aus der Flüssigkeit, wobei Sie überschüssige Flüssigkeit am Rand des Glases abstreifen.
3. Gießen Sie die Flüssigkeit aus, indem Sie den Knopf sanft bis zum ersten Anschlag drücken. Drücken Sie nach etwa einer Sekunde den Knopf ganz bis zum zweiten Anschlag durch. Dadurch wird die Spitze entleert.
4. Lassen Sie den Knopf in die Ausgangsposition zurückgleiten. Wechseln Sie nötigenfalls die Spitze und fahren Sie mit dem Pipettieren fort.



Rückwärtsmethode

Die Rückwärtsmethode ist geeignet für Flüssigkeiten, die eine hohe Viskosität aufweisen oder leicht schäumen. Diese Methode wird auch empfohlen, wenn nur sehr kleine Mengen verteilt werden sollen. Füllen Sie ein sauberes Reagenzglas mit der Flüssigkeit, die pipettiert werden soll.

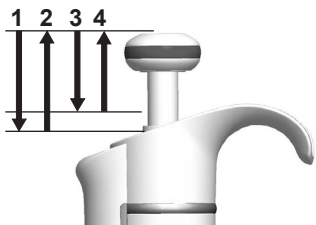
1. Drücken Sie den Knopf ganz durch bis zum zweiten Anschlag.
2. Tauchen Sie die Spitze ca. 1 cm unter die Oberfläche der Flüssigkeit im Reagenzglas und lassen Sie den Knopf langsam los. Dadurch wird die Spitze gefüllt. Nehmen Sie die Spitze aus der Flüssigkeit, wobei Sie überschüssige Flüssigkeit am Rand des Glases abstreifen.
3. Gießen Sie die voreingestellte Flüssigkeitsmenge aus, indem Sie den Knopf sanft bis zum ersten Anschlag drücken. Halten Sie den Knopf am ersten Anschlag fest. In der Spitze verbleibt etwas Flüssigkeit, die nicht ausgegossen werden darf.
4. Die restliche Flüssigkeit wird entweder mit der Spitze entsorgt oder zurück in den Flüssigkeitsbehälter gegossen.



Wiederholungsmethode

Die Wiederholungsmethode bietet eine rasche und einfache Möglichkeit, dasselbe Volumen mehrmals zu dosieren. Füllen Sie ein sauberes Reagenzglas mit der Flüssigkeit, die pipettiert werden soll.

1. Drücken Sie den Knopf ganz durch bis zum zweiten Anschlag.
2. Tauchen Sie die Spitze ca. 1 cm unter die Oberfläche der Flüssigkeit im Reagenzglas und lassen Sie den Knopf langsam los. Dadurch wird die Spitze gefüllt. Nehmen Sie die Spitze aus der Flüssigkeit, wobei Sie überschüssige Flüssigkeit am Rand des Glases abstreifen.



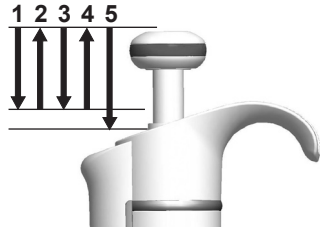
- Gießen Sie die voreingestellte Flüssigkeitsmenge aus, indem Sie den Knopf sanft bis zum ersten Anschlag drücken. Halten Sie den Knopf am ersten Anschlag fest. In der Spitze verbleibt etwas Flüssigkeit, die nicht ausgegossen werden darf.
- Fahren Sie mit dem Pipettieren fort, indem Sie die Schritte 3 und 4 wiederholen.

Pipettierung heterogener Proben

(z. B. Deproteinisation bei der Bestimmung des Blutzuckers)

Befolgen Sie Schritt 1 und 2 der Vorwärtsmethode um die Spitze mit Blut zu füllen. Wischen Sie die Spitze sorgfältig mit einem trockenen, sauberen Tuch ab.

- Tauchen Sie die Spitze in das Reagenzglas ein und drücken Sie den Knopf bis zum ersten Anschlag. Achten Sie dabei darauf, dass die Spitze unter die Oberfläche der Flüssigkeit eingetaucht ist.
- Lassen Sie den Knopf langsam in die Ausgangsposition zurückgleiten. Dadurch wird die Spitze gefüllt. Halten Sie die Spitze weiterhin in der Lösung.
- Drücken Sie den Knopf bis zum ersten Anschlag und lassen Sie ihn langsam los. Wiederholen Sie diesen Vorgang, bis die Innenwand der Spitze klar ist.
- Drücken Sie zum Schluss den Knopf ganz bis zum zweiten Anschlag durch, um die Spitze vollständig zu entleeren.



Kalibrierung und Justierung

Alle Finnpipetten werden im Werk auf die spezifizierten Mengen an destilliertem oder vollentsalztem Wasser bei Verwendung der Vorwärtsmethode kalibriert und justiert. Beachten Sie, dass die Verwendung anderer Pipettiermethoden die Kalibrierungsergebnisse beeinflussen können. Die Pipetten sind so konzipiert, dass eine erneute Justierung für andere Pipettiermethoden oder Flüssigkeiten vorgenommen werden kann, die eine unterschiedliche Temperatur und Viskosität aufweisen.

Erforderliche Geräte und Prüfbedingungen

Zur Überprüfung wird eine Analysenwaage benötigt. Der Skalenwert der Waage muss entsprechend der gewählten Testmenge der Pipette gewählt werden:

Menge	Skala
unter 10 µl	0,001 mg
10-100 µl	0,01 mg
über 100 µl	0,1 mg

Testflüssigkeit: Destilliertes oder vollentsalztes Wasser der Klasse 3 gemäß ISO 3696. Die Überprüfung wird in einem zugluftfreien Raum bei einer konstanten Temperatur von 15°C bis 30°C ($\pm 0,5^\circ\text{C}$) des Wassers, der Pipette und der Luft durchgeführt. Die relative Luftfeuchtigkeit muss über 50% liegen. Insbesondere bei Mengen unter 50 µl sollte die Luftfeuchtigkeit möglichst hoch sein, um Verdunstungsverluste zu vermeiden. Die Verwendung von Spezialzubehör, z.B. eines Verdunstungsschutzes, wird empfohlen.

Prüfen der Kalibrierung

Die Pipette wird mit der Höchstmenge (Nennvolumen) und der Mindestmenge geprüft. Zuerst wird eine neue Spitze drei- bis fünfmal mit Flüssigkeit durchspült. Dann wird mit beiden Mengen eine Serie von zehn Pipettierungen durchgeführt. Eine Pipette ist stets auf den Ablauf (Ex) der gewählten Menge justiert. Die Verwendung der Vorwärtsmethode wird empfohlen. Die maximal zulässigen Abweichungen beziehen sich auf die Vorwärtsmethode.

Vorgang:

1. Nehmen Sie 10 Pipettierungen mit der Mindestmenge vor.
2. Nehmen Sie 10 Pipettierungen mit der Höchstmenge vor.
3. Berechnen Sie die Ungenauigkeit (A) und die Unpräzision (cv) beider Serien.
4. Vergleichen Sie die Ergebnisse mit den Fehlergrenzen in Tabelle 1.

Wenn sich die berechneten Werte innerhalb der festgelegten Fehlergrenzen befinden, ist die Kalibrierung der Pipette korrekt.

TABELLE 1: Maximal zulässige Abweichungen gemäß ISO 8655

Bereich	Volumen μl	Ungenauigkeit		Unpräzision	
		μl	%	s.d. μl	cv%
0,2-2 μl	2	± 0.080	± 4	0.040	2.0
	0.2	± 0.080	± 40	0.040	20.0
0,5-5 μl	5	± 0.125	± 2.5	0.075	1.5
	0.5	± 0.125	± 25	0.075	15
1-10 μl	10	± 0.120	± 1.2	0.080	0.8
	1	± 0.120	± 12	0.080	8.0
2-20 μl	20	± 0.20	± 1.0	0.10	0.5
	2	± 0.20	± 10.0	0.10	5.0
10-100 μl	100	± 0.80	± 0.8	0.30	0.3
	10	± 0.80	± 8.0	0.30	3.0
20-200 μl	200	± 1.60	± 0.8	0.60	0.3
	20	± 1.60	± 8.0	0.60	3.0
30-300 μl	300	± 4.0	± 1.3	1.5	0.5
	30	± 4.0	± 13	1.5	5.0
100-1000 μl	1000	± 8.0	± 0.8	3.0	0.3
	100	± 8.0	± 8.0	3.0	3.0
0,5-5 ml	5000	± 40.0	± 0.8	15.0	0.3
	500	± 40.0	± 8.0	15.0	3.0
1-10 ml	10000	± 60.0	± 0.6	30.0	0.3
	1000	± 60.0	± 6.0	30.0	3.0

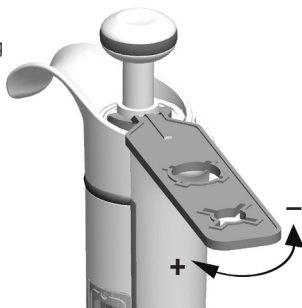
Fixed Volume μl	Ungenauigkeit		Unpräzision	
	μl	%	s.d. μl	cv%
1	± 0.04	± 4.0	0.04	4.0
5	± 0.07	± 1.4	0.07	1.4
10	± 0.09	± 0.9	0.08	0.8
25	± 0.15	± 0.6	0.13	0.5
50	± 0.3	± 0.6	0.2	0.4
100	± 0.4	± 0.4	0.3	0.3
250	± 1.0	± 0.4	0.8	0.3
500	± 1.5	± 0.3	1.5	0.3
1000	± 3.0	± 0.3	0.3	0.3
2000	± 6.0	± 0.3	4.0	0.2
3000	± 9.0	± 0.3	6.0	0.2
5000	± 15.0	± 0.3	10.0	0.2
10000	± 30.0	± 0.3	20.0	0.2

Bereich	Kanal	Volumen μl	Ungenauigkeit		Unpräzision	
			μl	%	s.d. μl	cv%
1-10 μl	8, 12, 16	10	± 0.24	± 2.4	0.16	1.6
		1	± 0.24	± 24	0.16	16
5-50 μl	8, 12, 16	50	± 1.0	± 2.0	0.4	0.8
		5	± 1.0	± 20	0.4	8.0
10-100 μl	8, 12	100	± 0.80	± 0.8	0.30	0.3
		10	± 0.80	± 8.0	0.30	3.0
30-300 μl	8, 12	300	± 8.0	± 2.7	3.0	1.0
		30	± 8.0	± 26.7	3.0	10.0

Justierung

Zur Justierung wird das mitgelieferte Werkzeug verwendet.

1. Stecken Sie das Werkzeug in die Öffnungen der Eichungsschraube am oberen Ende des Griffs.
2. Drehen Sie das Werkzeug im Uhrzeigersinn, um die Menge zu erhöhen, oder gegen den Uhrzeigersinn, um die Menge zu verringern.
3. Überprüfen Sie nach der Justierung die Kalibrierung gemäß der oben beschriebenen Anleitung.



Formeln zum Berechnen von Werten

Umrechnung von Masse in Volumen

$$V = (w + e) \times Z$$

V = Volumen (μl)

w = Gewicht (mg)

e = Verdunstungsverlust (mg)

Z = Umrechnungsfaktor für mg/ μl -Konversion

Verdunstungsverluste können bei kleinen Mengen ausschlaggebend sein. Um den Volumerverlust zu bestimmen, leeren Sie Wasser in die Waagschale, notieren Sie den Anzeigewert und starten Sie eine Stoppuhr. Stellen Sie fest, um wie viel der angezeigte Wert während 30 Sekunden abnimmt (z.B. 6 mg = 0,2 mg/s).

Vergleichen Sie dies mit der Pipettierzeit vom Austarieren bis zum Ablesen. Normalerweise beträgt die Pipettierzeit 10 Sekunden. Der Volumensverlust beträgt in diesem Fall deshalb 2 mg (10 s \times 0,2 mg/s). Wird ein Verdunstungsschutz oder Deckel für das Gefäß verwendet, ist ein Korrigieren der Verdampfungsmenge normalerweise nicht nötig.

Der Faktor Z dient zur Umrechnung des Gewichts von Wasser auf sein Volumen bei Prüftemperatur und Prüfdruck. Ein typischer Wert ist 1,0032 $\mu\text{l}/\text{mg}$ bei 22°C und 95 kPa. Siehe die Umwandlungstabelle auf Seite 48.

Ungenauigkeit (systematischer Fehler)

Ungenauigkeit bezeichnet die Differenz zwischen der abgegebenen Menge und dem gewählten Volumen einer Pipette.

$$A = \bar{V} - V_0$$

$\frac{A}{\bar{V}}$ = Ungenauigkeit

\bar{V} = Mittleres Volumen

V_0 = Nennvolumen

Ungenauigkeit kann als relativer Wert dargestellt werden: **A% = 100% \times A / V_0**

Unpräzision (statistischer Fehler)

Unpräzision bezieht sich auf die Wiederholbarkeit der Pipettierung. Sie wird als Standardabweichung (s) oder Variationskoeffizient (cv) angegeben.

$$S = \sqrt{\frac{\sum_{i=1}^n (V_i - \bar{V})^2}{n - 1}}$$

$\frac{s}{\bar{v}}$ = Standardabweichung

\bar{v} = Mittleres Volumen

n = Anzahl der Messungen

Die Standardabweichung kann als relativer Wert dargestellt werden (CV) **CV = 100% \times S / \bar{V}**

Wartung

Wenn die FinnpiPETTE F1 nicht in Verwendung ist, muss sie in einer senkrechten Position aufbewahrt werden. Wir empfehlen dafür eine FinnpiPETTE-Halterung.

Die angegebenen Teilenummern beziehen sich auf die Explosionszeichnungen ab Seite 49.

Kurzfristige Wartung

Die Außenfläche der Pipette sollte täglich vor Gebrauch auf Staub und Schmutz kontrolliert werden. Insbesondere der Spitzenkegel sollte gründlich untersucht werden. Zur Reinigung der Pipette darf ausschließlich 70% Ethylalkohol verwendet werden.

Langfristige Wartung, Einzelkanalpipetten

Wird die Pipette täglich verwendet, sollte sie alle drei Monate inspiziert werden. Die Wartung beginnt mit dem Zerlegen der Pipette.

Pipetten von 1-1000 µl

1. Drücken Sie den Spitzenauswerfer
2. Drehen Sie den Spitzenauswerfer 11 gegen den Uhrzeigersinn und ziehen Sie ihn heraus.
3. Drehen Sie den Spitzenkegel mit Hilfe des Wartungswerkzeugs gegen den Uhrzeigersinn aus dem Gewinde.
4. Ziehen Sie den Kolben und die übrigen Teile heraus. Drücken Sie mit dem Kolben die übrigen Teile der Kolbenbaugruppe heraus. Drehen Sie den Spitzenkegel um und klopfen Sie leicht auf ihn, so dass die darin befindlichen Teile herausrutschen. Bewahren Sie die Teile so auf dem Arbeitstisch auf, dass Sie sie beim Wiedereinbau in der richtigen Reihenfolge griffbereit haben.
5. Reinigen Sie den Kolben, die Kolbenfeder und die O-Ringe mit einem trockenen, fusselfreien Tuch.
6. Kontrollieren Sie den Spitzenkegel auf Fremdkörper.
7. Schmieren Sie die gesäuberten Teile mit dem Schmiermittel, das mit der Pipette geliefert wird.
8. Bauen Sie danach die Pipettenkomponenten wieder zusammen.

0,2-2 µl, 0,5-5 µl & 1-10 µl: Schieben Sie zuerst die Feder 22, die O-Ring-Stütze 23 und den O-Ring 24 auf die Röhre 21.

0,2-2 µl-Modell: Schieben Sie die Röhre 27 in die Röhre 21. Schieben Sie danach die Feder 13, die Federstütze 16, die Röhren 17 und 18, den größeren O-Ring 19 sowie den kleineren O-Ring 20 wieder auf den Kolben. Drücken Sie die Feder mit den Fingern zusammen, indem Sie den Kolben und die Federstütze 16 gegeneinander drücken, und schieben Sie auch die Röhre 21 auf den Kolben. Halten Sie die Feder gedrückt und schieben Sie die ganze Baugruppe vorsichtig in den Spitzenkegel. Danach können Sie die Feder loslassen.

2-20 µl: Schieben Sie die Feder 13, die Federstütze 16, die Röhren 17 und 18, den größeren O-Ring 19 sowie den kleineren O-Ring 20 wieder auf den Kolben. Drücken Sie die Feder mit den Fingern zusammen, indem Sie den Kolben und die Federstütze 16 gegeneinander drücken, und schieben Sie den größeren O-Ring 19, den kleineren O-Ring 20, die Federstütze 21 und die Feder 22 (den kleineren Durchmesser der Federstütze 21 zugewandt) auf den Kolben. Halten Sie die Feder gedrückt und schieben Sie die ganze Baugruppe vorsichtig in den Spitzenkegel. Danach können Sie die Feder loslassen.

10-100 µl und 20-200 µl: Schieben Sie die Feder 13, die Federstütze 16 und den O-Ring 17 wieder auf den Kolben. Schieben Sie die ganze Baugruppe in den Spitzenkegel.

100-1000 µl: Schieben den O-Ring 17 und den Stützring 16 in den Spitzenkegel. Schieben Sie die Feder 13 auf den Kolben und danach die ganze Baugruppe in den Spitzenkegel.

9. **Alle:** Schieben Sie die Feder 15 und die Stütze 14 auf den Spitzenkegel. Setzen Sie danach die Spitzenkegelbaugruppe vorsichtig in den Griff ein und drehen Sie sie von Hand, bis sie fest sitzt.
10. Bauen Sie den Spitzenauswerfer wieder ein.

Pipetten von 0,5-5 ml und 1-10 ml

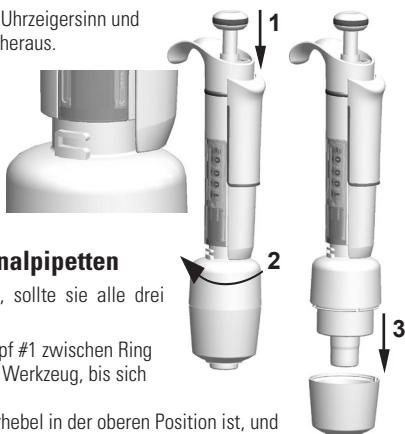
1. Drücken Sie auf den Spitzenauswerfer.
2. Öffnen Sie den Spitzenauswerfer 10, indem Sie ihn gegen den Uhrzeigersinn drehen.
3. Nehmen Sie das Unterteil des Spitzenauswerfers 14 auseinander (Einschnapphalterung).



1-200µl

200-1000µl

4. Drehen Sie den Zylinder 13 gegen den Uhrzeigersinn und ziehen Sie die Spitzenkegelbaugruppe heraus.
5. Entfernen Sie den Zylinder, indem Sie auf dessen Einschnapphalterung drücken.
6. O-Ring 12 und Zylinder 13 reinigen und schmieren.
7. Bauen Sie die Teile in umgekehrter Reihenfolge wieder ein.



Langfristige Wartung, Mehrkanalpipetten

Falls die Pipette täglich verwendet wird, sollte sie alle drei Monate überprüft und geschmiert werden.

1. Stecken Sie den Wartungswerkzeugkopf #1 zwischen Ring 15 und Auswerfer 23. Drücken Sie das Werkzeug, bis sich die Teile voneinander lösen.
2. Achten Sie darauf, dass der Auswerferhebel in der oberen Position ist, und ziehen Sie den Auswerferbereich des Moduls nach unten. Stecken Sie den Werkzeugkopf #2 in das Loch der Adapterröhre 46.
3. Öffnen Sie das untere Ende des Spitzenauswerfers ein kleines Stück weit und nehmen Sie den Auswerfer heraus.
4. Schrauben Sie das Modul aus dem Griff.
5. Drücken Sie die Feder 13 und lösen Sie die Arretierungen 12 aus der Nut. Entfernen Sie die Feder 13.
6. Entfernen Sie die Arretierungskralen 44 und 45 und ziehen Sie die Adapterröhre 46 sowie die Röhre 43 heraus
7. Lösen Sie mit einem Schraubenzieher die vier/sechs Schrauben 20, 21 der Modulabdeckung und entfernen Sie die Abdeckung.
8. Entfernen Sie die Kolbenstange 16 und reinigen Sie Kolben 31 und Spitzenkegel 42 mit einem trockenen, fusselfreien Tuch.
9. Warten Sie bei Bedarf die Spitzenkegel:

16-Kanal-Pipetten, 1-10 µl: Die Wartung der Spitzenkegel ist nicht möglich. Bitte ersetzen Sie verschlissene Kegel durch neue.

30-300 µl, 10-100µl & 5-50 µl: Öffnen Sie den Spitzenkegel, indem Sie den Schutzring 32 vorsichtig mit einem Schraubenzieher aus der Einschnapphalterung lösen. Nehmen Sie alle Teile aus dem Spitzenkegel. Säubern Sie sämtliche Teile. Wechseln Sie bei Bedarf die O-Ringe aus. Nehmen Sie einen Kolben. Schieben Sie die Feder 33, den Schutzring 32 (größeres Loch), die Feder 34, den Stützring 35, den O-Ring 37 (größer, 5-50µl) und den O-Ring 36 (kleiner) auf den Kolben. Schmieren Sie den O-Ring mit dem Schmiermittel, das mit der Pipette geliefert wird. Schieben Sie alle Teile in den Spitzenkegel 30 und schließen Sie die Einschnapphalterung des Schutzrings 32.

1-10 µl: Öffnen Sie den Spitzenkegel, indem Sie den Schutzring 32 vorsichtig mit einem Schraubenzieher aus der Einschnapphalterung lösen. Nehmen Sie alle Teile aus dem Spitzenkegel. Säubern Sie sämtliche Teile. Wechseln Sie bei Bedarf die O-Ringe aus. Nehmen Sie einen Kolben. Schieben Sie die Feder 33, den Schutzring 32 (größeres Loch), die Stütze 35, den O-Ring 36 (größer), den O-Ring 37 (kleiner) sowie die O-Ringstütze 38 auf den Kolben. Schieben Sie danach die Feder 39, die Federstütze 40 (scharfe Kante zuerst) und den O-Ring 41 auf die O-Ringstütze 38. Schmieren Sie die O-Ringe mit dem Schmiermittel, das mit der Pipette geliefert wird. Schieben Sie alle Teile in den Spitzenkegel 30 und schließen Sie die Einschnapphalterung des Schutzrings 32.

10. Setzen Sie Kolbenstange 16 mit Kolben und Spitzenkegel in die Abdeckung ein und befestigen Sie diese mit den vier/sechs Schrauben 20, 21.
11. Setzen Sie die Adapterröhre 46 und die Röhre 43 auf den Hals des Moduls und bringen Sie die Arretierungskralen 44 und 45 an.
12. Setzen Sie die Feder 13 und die Arretierungen 12 in die Kolbenstange 16 ein.
13. Setzen Sie den Spitzenauswerfer auf das Modul.
14. Schrauben Sie das Modul in den Griff und ziehen Sie es mit Werkzeugkopf #2 fest an.
15. Drücken Sie den Spitzenauswerferhebel nach unten, bis Sie ein Klickgeräusch hören.

Wartung der Multichannel-Pipettenspitzenkoni

Um die gleichmäßige Funktion aller Kanäle der Multichannel-Pipette sicherzustellen, müssen stets alle Spitzenkoni gleichzeitig ausgetauscht werden. Verwenden Sie keinesfalls eine Kombination von Spitzenkoni aus verschiedenen Packungen, da die in einer Packung enthaltenen Spitzenkoni jeweils genau aufeinander abgestimmt sind.

Fehlerbehebung

Die unten stehende Tabelle listet mögliche Probleme und Lösungsvorschläge auf.

Fehler	Mögliche Ursache	Lösung
Undichtigkeit	<i>Spitze nicht ordnungsgemäß befestigt</i>	<i>Ordnungsgemäß befestigen</i>
	<i>Fremdkörper zwischen Spitze und Spitzenhalterung</i>	<i>Spitzenhalterung reinigen und neue Spitze anbringen</i>
	<i>Fremdkörper zwischen Kolben, O-Ring und Zylinder</i>	<i>O-Ring und Zylinder reinigen und schmieren.</i>
	<i>Zu wenig Schmiermittel auf Zylinder und O-Ring</i>	<i>Ordnungsgemäß schmieren</i>
	<i>O-Ring beschädigt</i>	<i>O-Ring auswechseln</i>
Ungenauere Ausgabe	<i>Falsche Handhabung</i>	<i>Anleitung genau befolgen</i>
	<i>Spitze nicht ordnungsgemäß befestigt</i>	<i>Ordnungsgemäß befestigen</i>
	<i>Geänderte Kalibrierung: verursacht durch z. B. falsche Verwendung</i>	<i>Gemäß Anleitung neu kalibrieren</i>
Ungenauere Ausgabe bei manchen Flüssigkeiten	<i>Ungeeignete Kalibrierungsmethode</i> <i>Hochviskose Flüssigkeiten könnten neue Kalibrierung erfordern</i>	<i>Für manche Flüssigkeiten neu kalibrieren.</i>

Packungsinhalt

Die FinnpiPETTE F1 wird in einer speziell konzipierten Verpackung transportiert und enthält die folgenden Bestandteile:

1. Die FinnpiPETTE
2. Wartungswerkzeug
3. Wartungswerkzeug für Mehrkanalpipetten
4. FinnTip-Probe
5. Schmiermittel
6. Bedienungsanleitung
7. Kalibrierungszertifikat
8. Aufhängevorrichtung
9. Zwei Aufkleber

ACHTUNG!

Die FinnpiPETTE wurde konzipiert um eine einfache Verwendung im Labor zu gewährleisten. Wenn Sie uns oder dem Vertreter vor Ort Ihre Pipette zukommen lassen wollen, stellen Sie bitte sicher, dass die Pipette dekontaminiert wurde, bevor Sie sie versenden.

Beachten Sie bitte, dass die Postbehörden in Ihrem Land den Transport von verunreinigtem Material auf dem Postweg untersagen oder einschränken könnten.

Description du produit

La Finnpiquette F1 est une micropipette polyvalente à volume variable pour l'échantillonnage et la distribution de volumes liquides précis de.

Elle fonctionne selon le principe du déplacement d'air (volume d'air entre piston et liquide) et utilise des cônes jetables.

Le volume sélectionné apparaît sur un écran numérique situé sur le corps de la pipette.

Les douze modèles de Finnpiquette F1 couvrent une gamme de 0,2 μ l à 10 ml.

Référence	Plage de volumes		Embout FinnTip
4642010	0,2 μ l	à 2 μ l	Flex 10
4642020	0,5 μ l	à 5 μ l	Flex 10
4642030	1 μ l	à 10 μ l	Flex 10
4642040	1 μ l	à 10 μ l	250 Universal, 200 Ext, Flex 300
4642050	2 μ l	à 20 μ l	50
4642060	2 μ l	à 20 μ l	250 Universal, 200 Ext, Flex 300
4642070	10 μ l	à 100 μ l	250 Universal, 200 Ext, Flex 300
4642080	20 μ l	à 200 μ l	250 Universal, 200 Ext, Flex 300
4641090	30 μ l	à 300 μ l	300, Flex 300
4641100	100 μ l	à 1000 μ l	1000, Flex 1000
4641110	0,5 ml	à 5 ml	5 ml
4641120	1 ml	à 10 ml	10 ml, Flex 10 ml Ext

Les treize modèles de Finnpiquette F1 Fixed Volume couvrent une gamme de 1 μ l à 10 ml.

Référence	Plage de volumes		Embout FinnTip
4652000	1 μ l		Flex 10
4652010	5 μ l		Flex 10
4652020	10 μ l		250 Universal, 200 Ext, Flex 300
4652030	25 μ l		250 Universal, 300, 200 Ext, Flex 300
4652040	50 μ l		250 Universal, 300, 200 Ext, Flex 300
4652050	100 μ l		250 Universal, 300, 200 Ext, Flex 300
4652060	250 μ l		1000, Flex 1000
4652070	500 μ l		1000, Flex 1000
4652080	1000 μ l		1000, Flex 1000
4652090	2000 μ l		5 ml
4652100	3000 μ l		5 ml
4652110	5000 μ l		5 ml
4652120	10000 μ l		10 ml

Les dix modèles différents de Finnpiquette F1 Multiconduit couvrent une gamme de 1 μ l à 300 ml.

Référence	Conduit	Plage de volumes		Embout FinnTip
4662000	8	1 μ l	à 10 μ l	Flex 10
4662010	8	5 μ l	à 50 μ l	250 Universal, 200 Ext
4662020	8	10 μ l	à 100 μ l	250 Universal, 200 Ext
4662030	8	30 μ l	à 300 μ l	300, Flex 300
4662040	12	1 μ l	à 10 μ l	Flex 10
4662050	12	5 μ l	à 50 μ l	250 Universal, 200 Ext
4662060	12	10 μ l	à 100 μ l	250 Universal, 200 Ext
4662070	12	30 μ l	à 300 μ l	300, Flex 300
4662080	16	1 μ l	à 10 μ l	Flex 10 (384)
4662090	16	5 μ l	à 50 μ l	50

Affichage numérique

Le volume sélectionné est indiqué sur l'écran numérique de la poignée.



Matériaux de fabrication

La Finnpiquette F1 est fabriquée à partir de matériaux à haute résistance mécanique et chimique.

La pipette F1 comporte des composants incluant des produits antimicrobiens, des additifs, de l'argent, du sodium, de l'hydrogène, du zirconium et des phosphates. L'argent est connu pour empêcher la croissance de larges spectres de micro-organismes. Pour plus d'informations, nous contacter à l'adresse suivante : info.pipettes@thermofisher.com.

Les désinfectants de laboratoire usuels, tels que de l'éthanol à 70 %, peuvent être utilisés sans effet sur le traitement antimicrobien.

Description des cônes

Il est recommandé d'utiliser les cônes Finntip avec les Finnpiquettes F1.

Ces cônes sont en polypropylène incolore, de haute qualité, seule matière considérée comme non contaminante. Les Finntip sont également autoclavables (121°C).

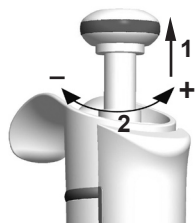
Utilisation de la pipette

Réglage du volume

1. Pour régler le volume, utiliser le bouton situé sur le haut de la pipette. Tirer sur le bouton pour régler le volume.
2. Pour augmenter le volume, tourner le bouton dans le sens inverse des aiguilles d'une montre. Pour réduire le volume, le tourner dans le sens des aiguilles d'une montre.
3. Vérifier qu'un déclin indique la mise en place du volume.
4. Ne pas définir de volumes en dehors de la plage de volume spécifiée de la pipette.

Éviter de forcer sur le bouton, ceci pouvant à la longue altérer la précision du mécanisme et endommager la pipette.

5. Enfoncer le bouton pour verrouiller le volume.



Étiquette d'identification

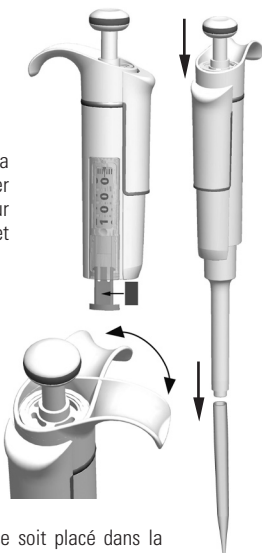
Vous pouvez indiquer l'application de la pipette, vos initiales, la date d'étalonnage, etc., sur l'étiquette d'identification. Retirer le module de la pipette pour remplacer l'étiquette. Écrire sur l'étiquette à l'aide d'un crayon et faire glisser l'étiquette et son support dans la fente correspondante.

Ejection des cônes

Chaque pipette est munie d'un nouveau dispositif d'éjection des cônes pour éliminer les risques de contamination. Pour éjecter le cône, diriger la pipette vers un réceptacle approprié puis appuyer sur l'éjecteur avec le pouce.

Réglage du repose doigt

Vous pouvez régler le repose doigt en le faisant pivoter à 60 degrés dans les deux sens depuis la position centrale. En général, les opérateurs droitiers la tournent vers la gauche (sens inverse des aiguilles d'une montre) afin que le pouce soit placé dans la meilleure position possible pour l'éjection du cône. Se référer à l'illustration.



Méthodes de pipetage

Manier toujours le bouton-poussoir avec douceur, surtout avec des liquides à forte viscosité. Ne jamais relâcher le bouton-poussoir brusquement.

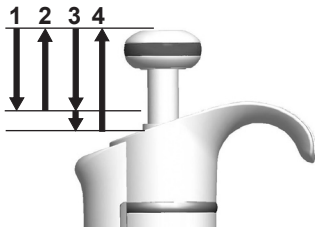
S'assurer que le cône est fermement emboîté sur l'embase porte-cône. Vérifier que le cône est propre.

Humidifier le cône avec la solution à pipeter avant de procéder au pipetage définitif (en remplissant et vidant 2 ou 3 fois le cône). Tenir la pipette en position verticale durant la manipulation. Le Grip-index doit reposer sur l'index de l'utilisateur. La température de la pipette et du cône doit être identique à celle de la solution.

Méthode directe

Remplir un réservoir propre avec le liquide à distribuer.

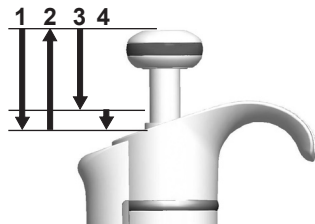
1. Appuyer sur le bouton jusqu'au premier cran.
2. Plonger d'environ 1 cm le cône dans le liquide puis relâcher lentement le bouton. Faire sortir le cône du liquide en touchant le bord du réservoir pour enlever l'excès de liquide.
3. Distribuer le liquide en appuyant doucement sur le bouton jusqu'au premier cran. Marquer un temps d'arrêt d'environ une seconde, et appuyer sur le bouton jusqu'au deuxième cran. Cette action videra complètement le cône.
4. Relâcher le bouton jusqu'à sa position de repos. Changer le cône si nécessaire, puis continuer le pipetage.



Méthode inverse

La méthode inverse convient pour distribuer des liquides très visqueux ou ayant tendance à mousser facilement. Cette méthode est également recommandée pour les faibles volumes. Remplir un réservoir propre avec le liquide à distribuer.

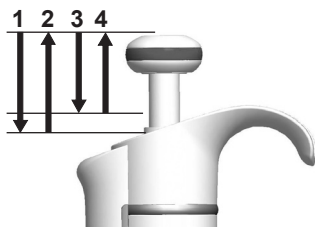
1. Appuyer sur le bouton jusqu'au deuxième cran.
2. Plonger d'environ 1 cm le cône dans le liquide puis relâcher lentement le bouton. Le cône se remplira. Faire sortir le cône du liquide en touchant le bord du réservoir pour enlever l'excès de liquide.
3. Distribuer le volume prédéfini en appuyant doucement sur le bouton jusqu'au premier cran. Maintenir le bouton au premier cran. Une partie du liquide doit rester dans le cône et ne sera pas distribuée.
4. Le liquide restant est soit éliminé avec le cône, soit reversé dans le réservoir.



Méthode répétitive

La méthode répétitive est une méthode simple et rapide pour la distribution répétée d'un même volume. Remplir un réservoir propre avec le liquide à distribuer.

1. Appuyer sur le bouton jusqu'au deuxième cran.
2. Plonger d'environ 1 cm le cône dans le liquide puis relâcher lentement le bouton. Le cône se remplira. Faire sortir le cône du liquide en touchant le bord du réservoir pour enlever l'excès de liquide.
3. Distribuer le liquide prédéfini en appuyant doucement sur le bouton jusqu'au premier cran. Maintenir le bouton au premier cran. Une partie du liquide doit rester dans le cône et ne sera pas distribuée.
4. Continuer le pipetage en répétant les étapes 3 et 4.

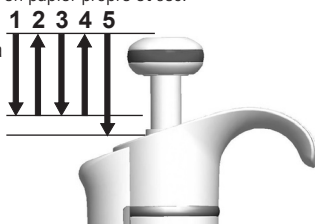


Pipetage des échantillons hétérogènes

(ex.: déprotéinisation du sang pour dosage de glucose).

Suivre les étapes 1 et 2 de la méthode directe pour prélever l'échantillon de sang. Essuyer soigneusement le cône à l'aide d'un mouchoir en papier propre et sec.

1. Plonger le cône dans le réactif et appuyer sur le bouton jusqu'au premier cran, en s'assurant que la pointe est bien dans le liquide.
2. Relâcher lentement le bouton jusqu'à sa position de repos.
Le cône se remplira. Ne pas sortir le cône de la solution.
3. Appuyer sur le bouton jusqu'au premier cran puis le relâcher lentement. Répéter cette opération jusqu'à ce que l'intérieur du cône soit propre.
4. Enfin, appuyer sur le bouton jusqu'au deuxième cran pour vider complètement le cône.



Calibrage

Toutes les Finnpiquette sont réglées et calibrées en usine avec de l'eau distillée ou déionisée, selon la méthode de pipetage direct. Les pipettes sont conçues de sorte à pouvoir utiliser des liquides de différentes températures et viscosités.

Matériel et conditions de test

Utiliser une balance analytique. Les spécifications de la balance doivent être choisies en fonction du volume contrôlé de la pipette :

Volumes	Sensibilité de la balance
inférieurs à 10 μ l	0,001 mg
10-100 μ l	0,01 mg
supérieurs à 100 μ l	0,1 mg

Liquide test : eau distillée ou déionisée, grade 3, conforme à la norme ISO 3696. Les tests doivent être effectués dans une pièce climatisée avec une température d'eau, de pipette et d'air constante ($\pm 0,5^{\circ}\text{C}$) située entre 20°C et 25°C . L'humidité relative doit être supérieure à 50 %. Pour les volumes inférieurs à 50 μ l en particulier, l'humidité de l'air doit être la plus élevée possible pour réduire la perte par évaporation. Des accessoires spécifiques, tels qu'un piège à évaporation, sont recommandés.

Procédure de vérification du calibrage

La pipette est vérifiée au volume maximum (volume nominal) et au volume minimum. Chaque nouveau cône est d'abord pré-humidifié 3 à 5 fois, et une série de dix pipetages est réalisée pour chacun des deux volumes. Une pipette est toujours réglée pour distribuer le volume sélectionné. L'utilisation de la méthode de pipetage directe est recommandée. Les erreurs tolérables maximales sont fournies pour la méthode de pipetage directe.

Procédure :

1. Effectuer 10 pipetages au volume minimum.
2. Effectuer 10 pipetages au volume maximum.
3. Calculer la justesse (E) et la répétabilité (cv) des deux séries.
4. Comparer les résultats aux tolérances du tableau 1.

Si les résultats calculés se trouvent dans les limites de tolérance sélectionnées, c'est que le réglage de la pipette est correct.

TABLEAU 1 : Erreurs tolérables maximales, selon la norme ISO 8655

Gamme	Volumés μl	Erreur de justesse		Erreur de répétabilité	
		μl	%	s.d. μl	cv%
0,2-2 μl	2	± 0.080	± 4	0.040	2.0
	0.2	± 0.080	± 40	0.040	20.0
0,5-5 μl	5	± 0.125	± 2.5	0.075	1.5
	0.5	± 0.125	± 25	0.075	15
1-10 μl	10	± 0.120	± 1.2	0.080	0.8
	1	± 0.120	± 12	0.080	8.0
2-20 μl	20	± 0.20	± 1.0	0.10	0.5
	2	± 0.20	± 10.0	0.10	5.0
10-100 μl	100	± 0.80	± 0.8	0.30	0.3
	10	± 0.80	± 8.0	0.30	3.0
20-200 μl	200	± 1.60	± 0.8	0.60	0.3
	20	± 1.60	± 8.0	0.60	3.0
30-300 μl	300	± 4.0	± 1.3	1.5	0.5
	30	± 4.0	± 13	1.5	5.0
100-1000 μl	1000	± 8.0	± 0.8	3.0	0.3
	100	± 8.0	± 8.0	3.0	3.0
0,5-5 ml	5000	± 40.0	± 0.8	15.0	0.3
	500	± 40.0	± 8.0	15.0	3.0
1-10 ml	10000	± 60.0	± 0.6	30.0	0.3
	1000	± 60.0	± 6.0	30.0	3.0

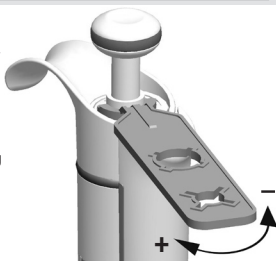
Fixed Volume μl	Erreur de justesse		Erreur de répétabilité	
	μl	%	s.d. μl	cv%
1	± 0.04	± 4.0	0.04	4.0
5	± 0.07	± 1.4	0.07	1.4
10	± 0.09	± 0.9	0.08	0.8
25	± 0.15	± 0.6	0.13	0.5
50	± 0.3	± 0.6	0.2	0.4
100	± 0.4	± 0.4	0.3	0.3
250	± 1.0	± 0.4	0.8	0.3
500	± 1.5	± 0.3	1.5	0.3
1000	± 3.0	± 0.3	0.3	0.3
2000	± 6.0	± 0.3	4.0	0.2
3000	± 9.0	± 0.3	6.0	0.2
5000	± 15.0	± 0.3	10.0	0.2
10000	± 30.0	± 0.3	20.0	0.2

Gamme	Conduit	Volumés μl	Erreur de justesse		Erreur de répétabilité	
			μl	%	s.d. μl	cv%
1-10 μl	8, 12, 16	10	± 0.24	± 2.4	0.16	1.6
		1	± 0.24	± 24	0.16	16
5-50 μl	8, 12, 16	50	± 1.0	± 2.0	0.4	0.8
		5	± 1.0	± 20	0.4	8.0
10-100 μl	8, 12	100	± 0.80	± 0.8	0.30	0.3
		10	± 0.80	± 8.0	0.30	3.0
30-300 μl	8, 12	300	± 8.0	± 2.7	3.0	1.0
		30	± 8.0	± 26.7	3.0	10.0

Réglage

Le réglage doit être effectué à l'aide de la clé de calibrage

1. Placer la clé dans les crans de la bague de calibrage située au-dessous du bouton-poussoir.
2. Tourner la clé dans le sens des aiguilles d'une montre pour augmenter le volume ou dans le sens contraire pour le diminuer.
3. Une fois le réglage terminé, vérifier à nouveau le calibrage en suivant les instructions données ci-dessus



Calculs

Conversion des poids en volume

$$V = (w + e) \times Z$$

V = volume (μl)

w = poids (mg)

e = perte par évaporation (mg)

Z = facteur de conversion pour mg/ μl

La perte par évaporation peut être importante avec les micro-volumes. Pour déterminer la perte de masse, verser de l'eau dans un bécher ou une fiole, noter le poids et déclencher un chronomètre. Noter le poids indiqué au bout de 30 secondes (ex. 6 mg = 0,2 mg/s).

Comparer ce résultat avec le temps de pipetage entre le tarage et la lecture du poids. Dans cet exemple, le temps de pipetage devrait être de 10 secondes et la perte de masse serait donc de 2 mg (10 s x 0,2 mg/s). En utilisant un piège à évaporation ou un couvercle sur bécher ou la fiole, l'erreur due à l'évaporation est négligeable et n'est donc pas prise en compte.

Le facteur Z permet de convertir le poids de l'eau en volume, à la température et à la pression de contrôle. Z est égal à 1,0032 $\mu\text{l}/\text{mg}$ à 22°C et 95 kPa. Se référer à la table de conversion page 48.

Erreur de justesse (erreur systématique)

La erreur de justesse correspond à la différence entre les volumes distribué et le volume sélectionné de la pipette.

$$E = \bar{V} - V_0 \quad \frac{E}{V} = \text{erreur de justesse}$$
$$\frac{E}{V} = \text{volume moyen}$$
$$V_0 = \text{volume nominal}$$

La erreur de justesse peut être exprimée en valeur relative : $E\% = 100\% \times E / V_0$

Erreur de répétabilité (erreur aléatoire)

Erreur de répétabilité des pipetages est exprimée par la déviation standard (s) ou le coefficient de variation (cv).

$$S = \sqrt{\frac{\sum_{i=1}^n (V_i - \bar{V})^2}{n-1}} \quad \begin{array}{l} s = \text{déviation standard} \\ \bar{V} = \text{volume moyen} \\ n = \text{nombre de mesures} \end{array}$$

La déviation standard peut être exprimé en valeur relative (CV) : $CV = 100\% \times s / \bar{V}$

Entretien

Lorsque la Finnpiquette F1 n'est pas utilisée, s'assurer qu'elle est rangée en position verticale. Utiliser un portoir Finnpiquette.

Le signe # fait référence aux photos qui commencent à la page 49.

Entretien à court terme

Il est recommandé de vérifier avant chaque utilisation la propreté extérieure de la pipette.

Une attention toute particulière doit être accordée à l'embase porte-cône. Pour le nettoyage, utiliser uniquement une solution d'éthanol à 70 %.

Entretien à long terme, pipettes simple conduit

Si la pipette est utilisée quotidiennement, elle doit être vérifiée tous les trois mois. La procédure d'entretien implique le démontage de la pipette.

Pipettes 1-1 000 μl

1. Appuyer sur l'éjecteur de cône.
2. Faire tourner l'éjecteur de cône 11 dans le sens inverse des aiguilles d'une montre et tirer dessus pour l'extraire.
3. Tourner l'embase porte-cône dans le sens inverse des aiguilles d'une montre à l'aide de la clé de calibrage.
4. Tirer sur le piston et les autres pièces. Appuyer avec le piston sur le reste de l'ensemble du piston. Ensuite, tourner l'embase porte-cône à l'envers et tarauder toutes les pièces depuis l'embase porte-cône. Ne pas oublier de conserver toutes les pièces dans l'ordre sur la table en vue du remontage.

- Nettoyer le piston, le ressort de piston et le joint torique avec un chiffon sec non pelucheux.
- Appuyer sur l'embase porte-cône pour retirer les saletés.
- Graisser les parties nettoyées à l'aide du lubrifiant fourni avec la pipette.
- Remonter les composants de la pipette.

0,2-2 ul, 0,5-5 ul et 1-10 µl : Commencer par faire glisser le ressort 22, le support du joint torique 23 et le joint torique 24 sur le tube 21. Avec le modèle 0,2-2ul, insérer le tube 27 dans le tube 21. Puis, faire à nouveau glisser le ressort 13, le support du ressort 16 et les tubes 17 et 18, le grand joint torique 19 et le petit joint torique 20 sur le piston. Comprimer le ressort avec les doigts en appuyant le piston sur le support du ressort 16 et faire glisser le tube 21 avec le reste des pièces sur le piston. Maintenir le ressort comprimé et faire glisser avec précaution l'ensemble complet dans l'embase porte-cône, puis relâcher le ressort.

2-20 µl : Faire de nouveau glisser le ressort 13, le support du ressort 16 et les tubes 17 et 18, le grand joint torique 19 et le petit joint torique 20 sur le piston. Comprimer le ressort avec les doigts en appuyant le piston sur le support du ressort 16 et faire glisser le grand joint torique 19, le petit joint torique 20, le support du ressort 21 et le ressort 22 (le petit diamètre contre le support du ressort 21) sur le piston. Maintenir le ressort comprimé et faire glisser avec précaution l'ensemble complet dans l'embase porte-cône, puis relâcher le ressort.

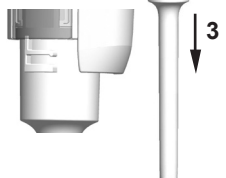
10-100 µl et 20-200 µl : Faire de nouveau glisser le ressort 13, le support du ressort 16 et le joint torique 17 sur le piston. Faire glisser l'ensemble complet dans l'embase porte-cône.

100-1 000 µl : Placer le joint torique 17 et la bague presse-joint 16 sur l'embase porte-cône. Faire glisser le ressort 13 sur le piston, puis l'ensemble complet dans l'embase porte-cône.

- Tous** : Placer le ressort 15 et le support 14 en haut de l'embase porte-cône, puis insérer avec précaution l'ensemble de l'embase porte-cône sur la poignée et serrer manuellement.
- Remonter l'éjecteur de cône.

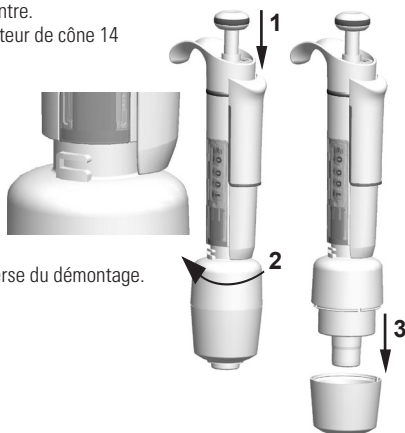
Pipette 0,5-5 ml et 1-10 ml

- Appuyer sur l'éjecteur de cône.
- Pour ouvrir l'éjecteur de cône 10, le tourner dans le sens inverse des aiguilles d'une montre.
- Démonter la partie inférieure de l'éjecteur de cône 14 (clips de fixation).
- Tourner le cylindre 13 dans le sens inverse des aiguilles d'une montre et tirer sur l'ensemble de l'embase porte-cône pour l'extraire.
- Déposer le cylindre 13 en appuyant sur les clips de fixation du cylindre.
- Nettoyer et graisser à nouveau le joint torique 12 et le cylindre 13.
- Assembler les pièces dans l'ordre inverse du démontage.



1-200µl

200-1000µl



Entretien à long terme, pipettes multi-conduit

Dans le cas d'une utilisation quotidienne, la pipette doit être vérifiée et lubrifiée tous les trois mois.

1. Placer la tête de la clé de calibrage #1 entre la bague 15 et l'éjecteur 23. Appuyer sur l'outil jusqu'à ce que les pièces s'enclenchent les unes aux autres.
2. Vérifier que le levier de l'éjecteur est en position haute et appuyer sur la partie de l'éjecteur de cône du module.
Placer la tête de la clé de calibrage #2 dans le trou du tube de l'adaptateur 46.
3. Ouvrir légèrement l'extrémité supérieure de l'éjecteur de cône et retirer l'éjecteur de cône.
4. Dévisser le module de la poignée.
5. Appuyer sur le ressort 13 et enlever les pièces de blocage 12 de la rainure. Enlever le ressort 13.
6. Relever les rebords courbés de verrouillage 44 et 45 et tirer sur les tubes 46 et 43 de l'adaptateur.
7. A l'aide d'un tournevis, retirer les quatre/six vis 20, 21 du couvercle du module et soulever le couvercle.
8. Retirer la barre du piston 16 puis nettoyer les pistons 31 et les porte-cônes 42 avec un chiffon sec non pelucheux.
9. Au besoin, procéder à l'entretien des porte-cônes :

16 conduits 1-10 μ l : Il n'est pas possible d'effectuer l'entretien des porte-cônes. Les remplacer au besoin.

30-300 μ l, 10-100 μ l et 5-50 μ l : Ouvrir le porte-cône en libérant doucement l'anneau du couvercle 32 de son ergot de fixation à l'aide du tournevis. Enlever toutes les pièces de l'embase porte-cône. Nettoyer toutes les pièces. Au besoin, remplacer les joints toriques. Prendre un piston. Faire glisser le ressort 33, la bague du couvercle 32 (grand trou), le ressort 34, la bague presse-joint 35, (le joint torique 37 est plus gros pour le modèle 5-50 μ l) et le joint torique 36 (plus petit) sur le piston. Graisser le joint torique avec la graisse silicone fournie dans l'emballage de la pipette. Faire glisser toutes les pièces dans l'embase porte-cône 30 et fermer l'ergot de fixation de l'anneau de couvercle 32.

1-10 μ l : Ouvrir l'embase porte-cône en libérant doucement l'anneau du couvercle 32 de son ergot de fixation à l'aide du tournevis. Enlever toutes les pièces de l'embase porte-cône. Nettoyer toutes les pièces. Au besoin, remplacer les joints toriques. Prendre un piston. Faire glisser le ressort 33, l'anneau du couvercle 32 (grand trou), le support 35, le joint torique 36 (grand), le joint torique 37 (petit) et le support de joint torique 38 sur le piston. Enfiler ensuite le ressort 39, la bague presse-joint 40 (bords fins en premier) et le joint torique 41 sur le porte-joint torique 38. Graisser les joints toriques avec le lubrifiant contenu dans l'emballage de la pipette. Faire glisser toutes les pièces dans l'embase porte-cône 30 et fermer l'ergot de fixation de l'anneau de couvercle 32.

10. Installer la barre du piston 16 avec les pistons et les porte-cônes sous le couvercle et refermer le couvercle en serrant les quatre/six vis 20, 21.
11. Placer les tubes 46 et 43 de l'adaptateur sur le col du module et insérer les rebords courbés de verrouillage 44 et 45.
12. Insérer le ressort 13 et les pièces de verrouillage 12 sur la tige de piston 16.
13. Placer l'éjecteur de cône sur le module.
14. Visser le module dans la poignée et le serrer avec la tête de la clé de calibrage #2.
15. Appuyer sur le levier de l'éjecteur de cône jusqu'à émission d'un dé clic.

Instructions d'entretien des embouts pour pipettes multicanaux

Pour assurer des performances régulières entre les canaux d'une pipette multicanaux, tous les embouts doivent être changés en même temps lorsque vous devez changer l'un d'entre eux. Ne mélangez jamais les embouts de différents sachets, car chaque sachet contient un ensemble d'embouts assortis.

En cas de problème

Le tableau ci-dessous donne une liste des problèmes éventuels et des solutions à apporter.

Problème	Cause probable	Solution
Fuite	<i>Cône mal emboîté</i>	<i>Bien vérifier la mise en place du cône</i>
	<i>Poussières ou cristaux entre le cône et l'embase</i>	<i>Nettoyer l'embase et remettre un nouveau cône</i>
	<i>Piston, joint torique et cylindre encrassés</i>	<i>Nettoyer et graisser le joint torique et le cylindre.</i>
	<i>Cylindre et joint torique insuffisamment lubrifiés</i>	<i>Graisser en conséquence</i>
	<i>Joint torique endommagé</i>	<i>Remplacer le joint torique</i>
Volume incorrect	<i>Utilisation incorrecte</i>	<i>Suivre attentivement les instructions</i>
	<i>Cône mal emboîté</i>	<i>Bien vérifier la mise en place du cône</i>
Volume incorrect avec certains liquides	<i>Calibrage modifié: causé par une mauvaise utilisation par exemple Calibrage inadapté.</i>	<i>Recalibrer en respectant les instructions</i>
	<i>Les liquides très visqueux peuvent demander un recalibrage.</i>	<i>Recalibrer en fonction du liquide utilisé.</i>

Conditionnement

La Finnipipette F1 est livrée dans un emballage spécial contenant les éléments suivants :

1. Finnipipette
2. Clé d'entretien
3. Clé d'entretien multicanal
4. Échantillon Finntip
5. Tube de graisse
6. Guide d'utilisation
7. Certificat de calibrage
8. Porte-pipettes
9. Deux autocollants

ATTENTION !

Les Finnipipettes sont conçues pour permettre un entretien facile en laboratoire. Toutefois, si vous préférez que nous ou notre représentant local se charge de l'entretien de vos pipettes, assurez-vous que vous les avez décontaminées avant de nous les envoyer.

Remarque: les services postaux de certains pays peuvent interdire ou restreindre l'envoi par courrier de matériels contaminés.

Descripción del producto

La Finnipette F1 es una micropipeta ajustable progresivamente y de propósito general, para el muestreo y la dispensación de volúmenes de líquido exactos.

Su funcionamiento se basa en el principio de desplazamiento de aire (es decir, en medio aéreo) y utiliza puntas separables y desechables.

El volumen de dispensación seleccionado se muestra digitalmente en una ventana de lectura que se encuentra en el mango.

Los doce modelos distintos de las pipetas Finnipette F1 permiten trabajar con volúmenes diferentes, abarcando un rango de 0,2 μ l a 10 ml.

Nº de pedido	Rango volumétrico		Finntip
4642010	0,2 μ l	a 2 μ l	Flex 10
4642020	0,5 μ l	a 5 μ l	Flex 10
4642030	1 μ l	a 10 μ l	Flex 10
4642040	1 μ l	a 10 μ l	250 Universal, 200 Ext, Flex 300
4642050	2 μ l	a 20 μ l	50
4642060	2 μ l	a 20 μ l	250 Universal, 200 Ext, Flex 300
4642070	10 μ l	a 100 μ l	250 Universal, 200 Ext, Flex 300
4642080	20 μ l	a 200 μ l	250 Universal, 200 Ext, Flex 300
4641090	30 μ l	a 300 μ l	300, Flex 300
4641100	100 μ l	a 1000 μ l	1000, Flex 1000
4641110	0,5 ml	a 5 ml	5 ml
4641120	1 ml	a 10 ml	10 ml, Flex 10 ml Ext

Los trece modelos distintos de las pipetas Finnipette F1 de volumen fijo permiten trabajar con volúmenes diferentes, abarcando un rango de 1 μ l a 10 ml.

Nº de pedido	Rango volumétrico	Finntip
4652000	1 μ l	Flex 10
4652010	5 μ l	Flex 10
4652020	10 μ l	250 Universal, 200 Ext, Flex 300
4652030	25 μ l	250 Universal, 300, 200 Ext, Flex 300
4652040	50 μ l	250 Universal, 300, 200 Ext, Flex 300
4652050	100 μ l	250 Universal, 300, 200 Ext, Flex 300
4652060	250 μ l	1000, Flex 1000
4652070	500 μ l	1000, Flex 1000
4652080	1000 μ l	1000, Flex 1000
4652090	2000 μ l	5 ml
4652100	3000 μ l	5 ml
4652110	5000 μ l	5 ml
4652120	10000 μ l	10 ml

Los diez modelos de pipetas Finnipette F1 Multicanal permiten trabajar con volúmenes diferentes, abarcando un rango de 1 μ l a 300 μ l.

Nº de pedido	Canal	Rango volumétrico		Finntip
4662000	8	1 μ l	a 10 μ l	Flex 10
4662010	8	5 μ l	a 50 μ l	250 Universal, 200 Ext
4662020	8	10 μ l	a 100 μ l	250 Universal, 200 Ext
4662030	8	30 μ l	a 300 μ l	300, Flex 300
4662040	12	1 μ l	a 10 μ l	Flex 10
4662050	12	5 μ l	a 50 μ l	250 Universal, 200 Ext
4662060	12	10 μ l	a 100 μ l	250 Universal, 200 Ext
4662070	12	30 μ l	a 300 μ l	300, Flex 300
4662080	16	1 μ l	a 10 μ l	Flex 10 (384)
4662090	16	5 μ l	a 50 μ l	50

Pantalla digital

El volumen de dispensación seleccionado aparece claramente indicado en la pantalla digital de gran tamaño que se encuentra en el mango.



Materiales

La Finnpiquette F1 está fabricada con materiales mecánicamente duraderos y químicamente resistentes.

La pipeta F1 incorpora componentes que contienen un aditivo antimicrobiano, fosfato de plata, sodio, hidrógeno y circonio. Se ha demostrado que la plata inhibe el crecimiento de un amplio espectro de microorganismos. Para más información, póngase en contacto con nosotros en info.pipettes@thermofisher.com.

Los desinfectantes de laboratorio convencionales, como el etanol al 70%, pueden usarse sin efectos sobre el tratamiento antimicrobiano.

Descripción de las puntas

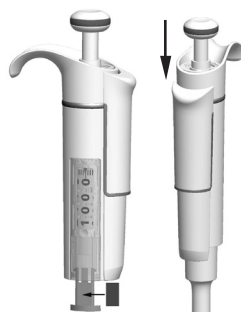
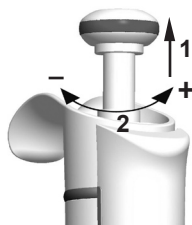
Se recomienda el uso de puntas Finntip con las pipetas Finnpiquette F1.

Las puntas Finntip se fabrican con polipropileno virgen de color natural que, por regla general, se considera el único material sin contaminar apropiado para las puntas. Asimismo, las Finntip se pueden introducir en el autoclave (121 °C).

Uso de la pipeta

Selección del volumen de dispensación

1. Determine el volumen de dispensación con el mando que se encuentra en la parte superior de la pipeta. Tire del mando para activar el ajuste de volumen.
2. Para aumentar el volumen de dispensación, gire el mando en el sentido contrario a las agujas del reloj. Para disminuirlo, gírelo en la dirección opuesta.
3. Asegúrese de que el volumen de dispensación deseado quede fijado correctamente.
4. No ajuste volúmenes que estén fuera del rango volumétrico especificado para la pipeta. Si fuerza el mando excesivamente para superar dicho rango, puede atascar el mecanismo y, con el tiempo, estropear la pipeta.
5. Para bloquear el volumen, presione el mando hacia abajo.

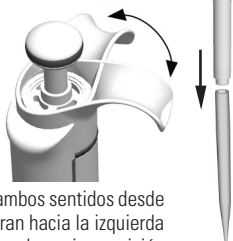


Etiqueta identificativa

Puede usar la etiqueta identificativa para indicar la aplicación de la pipeta, sus iniciales, la fecha de calibración, etc. Retire el módulo de la pipeta para sustituir la etiqueta. Escriba en la etiqueta con un lápiz y deslice la etiqueta, con su soporte, en su ranura.

Expulsión de la punta

Para evitar el riesgo de contaminación, cada pipeta viene equipada con un sistema de expulsión de puntas. Para soltar la punta, dirija la pipeta a un contenedor para residuos y presione el expulsor con el dedo pulgar.



Ajuste el apoyo para dedos

El apoyo para dedos puede ajustarse girándolo 60 grados en ambos sentidos desde su posición central. Normalmente, los usuarios diestros lo giran hacia la izquierda (en el sentido contrario a las agujas del reloj) para obtener la mejor posición posible para expulsar la punta con el pulgar. Vea la imagen.

Técnicas de pipeteo

Presione y suelte el pulsador lentamente y de forma continua, especialmente cuando trabaje con líquidos muy viscosos. Nunca suelte el pulsador de forma brusca.

Asegúrese de que la punta se encuentra firmemente ajustada en el cono portapuntas.

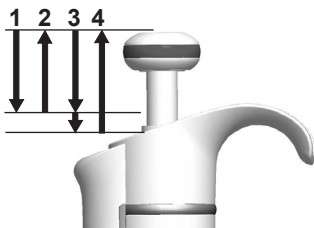
Compruebe que no haya partículas extrañas en la punta.

Antes de empezar, llene la punta con la sustancia que va a pipetear y vacíela, repitiendo esta acción 2 ó 3 veces. Sostenga la pipeta en posición vertical mientras se aspira el líquido. El agarre de la pipeta debe apoyarse en el dedo índice. Asegúrese de que las puntas, la pipeta y la solución se encuentran a la misma temperatura.

Técnica directa

Llene un frasco de reactivos limpio con el líquido con el que va a trabajar.

1. Presione el mando hasta la primera posición.
2. Sumerja la punta aproximadamente 1 cm bajo la superficie del líquido y suelte el mando lentamente. Saque la punta, retirando el exceso de líquido del borde del frasco de la dispensación para eliminar el exceso de líquido.
3. Descargue el líquido presionando ligeramente el mando hasta la primera posición. Transcurrido aproximadamente un segundo, vuelva a presionar el mando hasta la segunda posición para vaciar la punta. Esta acción vaciará la punta.
4. Libere el mando para que vuelva a la posición inicial. Si es necesario, cambie la punta y siga pipeteando.

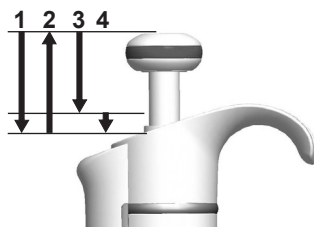


Técnica inversa

Se recomienda esta técnica para el pipeteo de líquidos muy viscosos o con tendencia a formar espuma fácilmente. Asimismo, resulta apropiada para el trabajo con volúmenes reducidos.

Llene un frasco de reactivos limpio con el líquido con el que va a trabajar.

1. Presione el mando completamente hasta la segunda posición.
2. Sumerja la punta aproximadamente 1 cm bajo la superficie del líquido y suelte el mando lentamente. Mantenga el pulsador en este punto. Saque la punta, retirando el exceso de líquido del borde del frasco de la dispensación para eliminar el exceso de líquido.
3. Descargue el volumen prefijado presionando ligeramente el mando hasta la primera posición. Mantenga el mando en este punto. El líquido que quede en la punta no debe incluirse en la dispensación.
4. Deseche el líquido restante junto con la punta, o bien, devuélvalo al frasco.



Técnica repetitiva

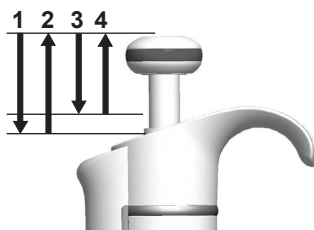
La técnica repetitiva ofrece un modo rápido y sencillo para la dispensación repetida del mismo volumen. Llene un frasco de reactivos limpio con el líquido con el que va a trabajar.

1. Presione el mando completamente hasta la segunda posición.

2. Sumerja la punta aproximadamente 1 cm bajo la superficie del líquido y suelte el mando lentamente. Mantenga el pulsador en este punto. Saque la punta, retirando el exceso de líquido del borde del frasco de la dispensación para eliminar el exceso de líquido.

3. Descargue el volumen prefijado presionando ligeramente el mando hasta la primera posición. Mantenga el mando en este punto. El líquido que quede en la punta no debe incluirse en la dispensación.

4. Repita los pasos 3 y 4 para seguir pipeteando.



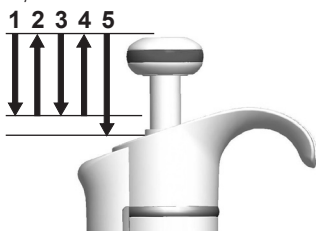
Pipeteo de muestras heterogéneas

(desproteínización en una determinación de glucosa en sangre, por ejemplo)

Siga los pasos 1 y 2 de la técnica directa para llenar la punta de sangre.

Limpie cuidadosamente la punta con un pañuelito limpio y seco.

1. Sumerja la punta en el reactivo y presione el mando hasta la primera posición. Compruebe que la punta se encuentra debajo de la superficie.
2. Libere lentamente el mando para que vuelva a la posición inicial.
Esto llenará la punta. Mantenga la punta sumergida dentro de la solución.
3. Presione el mando hasta la primera posición y suéltelo lentamente. Repita este proceso hasta que la pared interior de la punta quede limpia.
4. Por último, presione el mando hasta la segunda posición para vaciar la punta completamente.



Calibración y ajuste

Todas las pipetas FinnpiPETTE se distribuyen ajustadas y calibradas de fábrica para trabajar dentro de los volúmenes especificados con agua destilada o desionizada y con la técnica directa. Recuerde que el uso de otras técnicas de pipeteo puede afectar al resultado de la calibración. Las pipetas se diseñan para permitir el reajuste para otras técnicas de pipeteo u otros líquidos con temperaturas y viscosidades diferentes.

Requisitos de los dispositivos y condiciones del ensayo

Debe utilizar una balanza de laboratorio. Determine el valor de sensibilidad de la escala de la balanza en función del volumen de ensayo seleccionado de la pipeta:

Rango volumétrico Sensibilidad

Menos de 10 μl	0,001 mg
10-100 μl	0,01 mg
Más de 100 μl	0,1 mg

Líquido de ensayo: agua, destilada o desionizada, agua de "grado 3" conforme a la norma ISO 3696. Los ensayos se deben realizar en una habitación sin corrientes de aire, manteniendo el agua, la pipeta y el aire a una temperatura constante ($\pm 0,5$ °C) entre los 15 °C y 30 °C. La humedad relativa debe ser superior al 50%. La humedad del aire, especialmente cuando se trabaja con volúmenes inferiores a 50 μl , debe ser lo más elevada posible para reducir el efecto de la pérdida por evaporación. Se recomienda el uso de accesorios especiales, tales como el concentrador de evaporación.

Procedimiento de comprobación de la calibración

Se debe comprobar el volumen máximo (volumen nominal) y el volumen mínimo de la pipeta. Humedezca de 3 a 5 veces una nueva punta antes de usarla y realice una serie de diez repeticiones a cada volumen. Las pipetas se ajustan siempre para dispensar (Ex) el volumen seleccionado. Se recomienda utilizar la técnica directa de pipeteo. El número máximo permitido de errores se ha diseñado para la técnica directa.

Procedimiento:

1. Realice 10 repeticiones al volumen mínimo.
2. Realice 10 repeticiones al volumen máximo.
3. Calcule la inexactitud (A) y la imprecisión (cv) de cada serie.
4. Compare los resultados con los límites de la Tabla 1.

Si los resultados calculados están dentro de los límites seleccionados, el ajuste de la pipeta es correcto.

TABLA 1: errores máximos permitidos según ISO8655

Rango	Volumen µl	Inexactitud		Imprecisión	
		µl	%	s.d. µl	cv%
0,2-2 µl	2	±0.080	±4	0.040	2.0
	0.2	±0.080	±40	0.040	20.0
0,5-5 µl	5	±0.125	±2.5	0.075	1.5
	0.5	±0.125	±25	0.075	15
1-10 µl	10	±0.120	±1.2	0.080	0.8
	1	±0.120	±12	0.080	8.0
2-20 µl	20	±0.20	±1.0	0.10	0.5
	2	±0.20	±10.0	0.10	5.0
10-100 µl	100	±0.80	±0.8	0.30	0.3
	10	±0.80	±8.0	0.30	3.0
20-200 µl	200	±1.60	±0.8	0.60	0.3
	20	±1.60	±8.0	0.60	3.0
30-300 µl	300	±4.0	±1.3	1.5	0.5
	30	±4.0	±13	1.5	5.0
100-1000 µl	1000	±8.0	±0.8	3.0	0.3
	100	±8.0	±8.0	3.0	3.0
0,5-5 ml	5000	±40.0	±0.8	15.0	0.3
	500	±40.0	±8.0	15.0	3.0
1-10 ml	10000	±60.0	±0.6	30.0	0.3
	1000	±60.0	±6.0	30.0	3.0

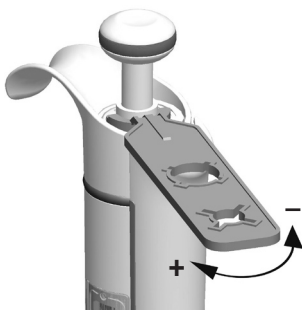
Fixed Volume µl	µl	Inexactitud		Imprecisión	
		µl	%	s.d.µl	cv%
1	±0.04	±4.0	0.04	4.0	
5	±0.07	±1.4	0.07	1.4	
10	±0.09	±0.9	0.08	0.8	
25	±0.15	±0.6	0.13	0.5	
50	±0.3	±0.6	0.2	0.4	
100	±0.4	±0.4	0.3	0.3	
250	±1.0	±0.4	0.8	0.3	
500	±1.5	±0.3	1.5	0.3	
1000	±3.0	±0.3	0.3	0.3	
2000	±6.0	±0.3	4.0	0.2	
3000	±9.0	±0.3	6.0	0.2	
5000	±15.0	±0.3	10.0	0.2	
10000	±30.0	±0.3	20.0	0.2	

Rango	Canal	Volumen µl	Inexactitud		Imprecisión	
			µl	%	s.d.µl	cv%
1-10 µl	8, 12, 16	10	±0.24	±2.4	0.16	1.6
		1	±0.24	±24	0.16	16
5-50 µl	8, 12, 16	50	±1.0	±2.0	0.4	0.8
		5	±1.0	±20	0.4	8.0
10-100 µl	8, 12	100	±0.80	±0.8	0.30	0.3
		10	±0.80	±8.0	0.30	3.0
30-300 µl	8, 12	300	±8.0	±2.7	3.0	1.0
		30	±8.0	±26.7	3.0	10.0

Ajuste

El ajuste se realiza con la herramienta de servicio.

1. Inserte la herramienta de servicio en las aberturas de la tuerca de calibración que se encuentra en la parte superior del mango.
2. Gire la herramienta de servicio en el sentido de las agujas del reloj para aumentar el volumen o en la dirección opuesta para disminuirlo.
3. Una vez ajustado el volumen, compruebe la calibración siguiendo las instrucciones descritas anteriormente.



Fórmulas para el cálculo de los resultados

Conversión de masa a volumen

$$V = (w + e) \times Z$$

V = volumen (μl)
 w = peso (mg.)
 e = pérdida por evaporación (mg.)
 Z = factor de conversión para la conversión mg/ μl

La pérdida por evaporación puede ser un factor relevante cuando se trabaja con volúmenes reducidos. Para determinar la pérdida de masa, llene de agua el recipiente a pesar, observe la lectura obtenida y ponga en marcha un cronómetro. Compruebe cómo disminuyen los valores al cabo de 30 segundos (p. ej., 6 mg = 0,2 mg/s).

Compare esta lectura con el tiempo de pipeteo transcurrido entre la acción y la lectura. Normalmente, el tiempo de pipeteo es de 10 segundos y la pérdida de masa de 2 mg (10 s x 0,2 mg/s) en este ejemplo. Si cubre el recipiente con un concentrador de evaporación o una tapa, no es preciso por lo general que corrija la evaporación.

El factor Z se utiliza para convertir el peso del agua en volumen a una temperatura y presión de ensayo. Un valor típico es 1,0032 $\mu\text{l}/\text{mg}$ a 22 °C y 95 kPa. Consulte la tabla de conversiones de la página 48.

Inexactitud (error sistemático)

La inexactitud es la diferencia entre el volumen dispensado y el volumen seleccionado de una pipeta.

$$A = \bar{V} - V_0$$

A = Inexactitud
 \bar{V} = Volumen medio
 V_0 = Volumen nominal

La inexactitud se puede expresar como un valor relativo: $A\% = 100\% \times A / V_0$

Imprecisión (error aleatorio)

La imprecisión hace referencia a la repetibilidad del pipeteo. Se expresa en forma de desviación estándar (s) o como coeficiente de variación (cv)

$$S = \sqrt{\frac{\sum_{i=1}^n (V_i - \bar{V})^2}{n-1}}$$

s = Desviación estándar
 \bar{v} = Volumen medio
 n = Número de mediciones

La desviación estándar se puede expresar como un valor relativo (CV) $CV = 100\% \times S / \bar{V}$

Mantenimiento

Guarde la pipeta Finnpiptette F1 cuando no se utilice y asegúrese de que se encuentra en posición vertical. Se recomienda para este propósito el uso del soporte especial para pipetas Finnpiptette.

La referencia se refiere a las vistas de detalle del principio de la página 49.

Mantenimiento a corto plazo

Compruebe al comienzo de cada día que no haya polvo ni suciedad en las superficies externas de la pipeta.

Preste especial atención al cono portapuntas. Utilice exclusivamente etanol al 70% para limpiar la pipeta (no utilice otro tipo de disolvente).

Mantenimiento a largo plazo, pipetas monocanal

Si la pipeta se utiliza diariamente, debe verificarla cada tres meses. El servicio de mantenimiento empieza por desmontar la pipeta.

Pipetas de 1-1.000 μ l

1. Pulse el expulsor.
2. Gire el expulsor 11 en el sentido contrario a las agujas del reloj y tire de él hacia fuera.
3. Gire hacia fuera el cono portapuntas en el sentido contrario a las agujas del reloj con ayuda de la herramienta de servicio.
4. Tire del émbolo y las demás piezas hacia fuera. Presione hacia fuera el émbolo con el resto del conjunto de émbolo. A continuación, invierta el cono portapuntas y golpee suavemente todas las piezas para retirarlas del cono portapuntas. Recuerde que debe conservar todas las piezas en orden sobre la mesa, para el montaje posterior.
5. Limpie el émbolo, el muelle del émbolo y las juntas tóricas con un paño seco sin hilos.
6. Compruebe que el cono portapuntas no contenga partículas extrañas.
7. Engrase las partes limpias con el lubricante que viene con la pipeta.
8. Vuelva a montar los componentes de la pipeta.

0,2-2 μ l, 0,5-5 μ l y 1-10 μ l: Deslice primero el muelle 22, el soporte 23 para junta tórica y la junta tórica 24 en el tubo 21. En el modelo para 0,2-2 μ l, inserte el tubo 27 en el tubo 21. A continuación, deslice de nuevo en el émbolo el muelle 13, el soporte 16 para muelle y los tubos 17 y 18, la junta tórica mayor 19 y la junta tórica menor 20.

Comprima el muelle con los dedos presionando el émbolo y el soporte 16 para muelle uno contra otro y deslice el tubo 21 con el resto de las partes del émbolo. Mantenga comprimido el muelle y deslice cuidadosamente todo el conjunto hacia el interior del cono portapuntas, liberando a continuación el muelle.

2-20 μ l: Deslice el muelle 13, el soporte 16 para muelle y los tubos 17 y 18, la junta tórica mayor 19 y la junta tórica menor 20 de nuevo en el émbolo. Comprima el muelle con los dedos presionando el émbolo y el soporte 16 para muelle uno contra otro y deslice la junta tórica mayor 19, la junta tórica menor 20, el soporte 21 para muelle y el muelle 22 (con el diámetro menos apoyado contra el soporte 21 para muelle) en el émbolo. Mantenga comprimido el muelle y deslice cuidadosamente todo el conjunto hacia el interior del cono portapuntas, liberando a continuación el muelle.

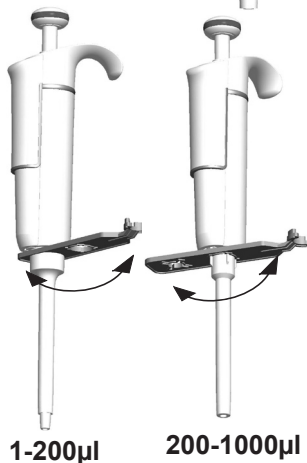
10-100 μ l y 20-200 μ l: Deslice el muelle 13, el soporte 16 para muelle y la junta tórica 17 de nuevo en el émbolo. Deslice todo el conjunto hacia el interior del cono portapuntas.

100-1.000 μ l: Coloque la junta tórica 17 y el anillo de soporte 16 en el cono portapuntas. Deslice el muelle 13 en el émbolo y deslice todo el conjunto en el cono portapuntas.

9. **Todas:** Coloque el muelle 15 y el soporte 14 en la parte superior del cono portapuntas e inserte cuidadosamente el conjunto de cono portapuntas en el mango, girándolo y apretándolo a continuación con la mano.
10. Vuelva a montar el expulsor.

Pipetas de 0,5-5 ml y 1-10 ml

1. Pulse el expulsor.
2. Gire el expulsor 10 en el sentido contrario a las agujas del reloj para abrirlo.



- Desmonte la parte inferior del expulsor 14 (ajuste a presión).
- Gire el cilindro 13 en el sentido contrario a las agujas del reloj y tire del conjunto de cono portapuntas hacia fuera.
- Retire el cilindro 13 presionando los ajustes a presión del cilindro.
- Limpie y reengrase la junta tórica 12 y el cilindro 13.
- Monte las piezas en el orden opuesto al del desmontaje.



Mantenimiento a largo plazo, pipetas multicanal

Si la pipeta se utiliza diariamente, debe verificarla y lubricarla cada tres meses.

- Coloque el cabezal nº 1 de la herramienta de servicio entre el anillo 15 y el expulsor 23. Presione la herramienta hasta que las piezas se separen con un chasquido.
- Compruebe que la palanca del expulsor esté en posición vertical y tire hacia abajo de la parte de expulsor de puntas del módulo. Coloque el cabezal nº 2 de la herramienta de servicio en el orificio del tubo adaptador 46. Abra levemente el extremo superior del expulsor de puntas y retire el expulsor de puntas.
- Desatornille y retire el módulo del mango.
- Presione el muelle 13 y retire las piezas de bloqueo 12 de la ranura. Retire el muelle 13.
- Retire las garras de bloqueo 44 y 45 y tire del tubo adaptador 46 y del tubo 43 hacia fuera.
- Utilice un destornillador para retirar los cuatro / seis tornillos 20,21 de la cubierta del módulo y levante la cubierta para separarla.
- Retire la barra 16 de los émbolos y limpie los émbolos 31 y los conos portapuntas 42 con un paño seco sin hilas.
- En caso necesario, mantenga los conos portapuntas:

16 canales y 1-10 µl: Los conos portapuntas no admiten mantenimiento. Sustitúyalos en caso necesario.

30-300 µl, 10-100 µl y 5-50 µl: Abra con cuidado el cono portapuntas liberando el anillo 32 de la cubierta de su punto de unión por presión, con ayuda de un destornillador. Retire todas las piezas del cono portapuntas. Limpie todas las piezas. En caso necesario, sustituya las juntas tóricas. Tome un émbolo. Deslice el muelle 33, el anillo de cubierta 32 (orificio mayor), el muelle 34, el anillo de soporte 35, (junta tórica 37 mayor en 5-50 µl) y la junta tórica 36 (menor) sobre el émbolo. Engrase la junta tórica con el lubricante incluido con la pipeta. Deslice todas las piezas hacia el interior del cono portapuntas 30 y cierre la unión por presión del anillo 32 de la cubierta.

1-10 µl: Abra con cuidado el cono portapuntas liberando el anillo 32 de la cubierta de su punto de unión por presión, con ayuda de un destornillador. Retire todas las piezas del cono portapuntas. Limpie todas las piezas. En caso necesario, sustituya las juntas tóricas. Tome un émbolo. Deslice el muelle 33, el anillo de la cubierta 32 (orificio mayor), el apoyo 35, la junta tórica 36 (mayor), la junta tórica 37 (menor) y el apoyo de junta tórica 38 sobre el émbolo. A continuación, deslice el muelle 39, el apoyo de muelle 40 (con los bordes afilados por delante) y la junta tórica 41 sobre el apoyo de junta tórica 38. Engrase las juntas tóricas con el lubricante incluido con la pipeta. Deslice todas las piezas hacia el interior del cono portapuntas 30 y cierre la unión por presión del anillo 32 de la cubierta.

- Instale la barra 16 de émbolos con los émbolos y conos portapuntas en la cubierta y cierre la cubierta con los cuatro / seis tornillos 20,21.
- Coloque el tubo adaptador 46 y el tubo 43 en el cuello del módulo e inserte las garras de bloqueo 44 y 45.
- Inserte el muelle 13 y las piezas de bloqueo 12 en el vástago de émbolo 16.
- Coloque el expulsor de puntas en el módulo.
- Atornille el módulo al mango y apriete con el cabezal nº 2 de la herramienta de servicio.
- Presione hacia abajo la palanca del expulsor de puntas hasta que escuche un "clic".

Instrucciones de servicio técnico para conos porta-puntas de pipetas multicanal

Para garantizar un correcto funcionamiento de todos los canales de una pipeta multicanal, debe reemplazar a la vez todos los conos porta-puntas siempre que deba reemplazar uno de ellos. No combine conos porta-puntas de paquetes distintos, dado que cada bolsa contiene un conjunto de conos porta-puntas que se corresponden exactamente.

Solución de problemas

En la tabla que aparece a continuación se describen varios problemas que pueden surgir y la manera de solucionarlos.

Defecto	Posible causa	Solución
<i>Goteo</i>	<i>Colocación incorrecta de la punta.</i>	<i>Coloque la punta firmemente.</i>
	<i>Presencia de partículas extrañas entre la punta y el cono portapuntas.</i>	<i>Limpie los conos portapuntas y coloque puntas nuevas.</i>
	<i>Presencia de partículas extrañas entre el émbolo, la junta tórica y el cilindro.</i>	<i>Limpie y lubrique la junta tórica y el cilindro.</i>
	<i>Cantidad insuficiente de lubricante en el cilindro y la junta tórica.</i>	<i>Lubrique los componentes correctamente.</i>
	<i>La junta tórica está dañada.</i>	<i>Cambie la junta tórica.</i>
<i>Dispensación errónea</i>	<i>Manejo incorrecto.</i>	<i>Siga las instrucciones atentamente.</i>
	<i>Colocación incorrecta de la punta.</i>	<i>Coloque la punta firmemente.</i>
<i>Dispensación errónea con determinados líquidos</i>	<i>Cambios en la calibración: causados por un mal uso, por ejemplo, una calibración inapropiada.</i>	<i>Vuelva a calibrar la pipeta siguiendo las instrucciones.</i>
	<i>Puede que deba volver a calibrar la pipeta para trabajar con líquidos muy viscosos.</i>	<i>Vuelva a calibrar la pipeta con los líquidos con los que va a trabajar.</i>

Paquete

La pipeta Finnpipette F1 se suministra en un paquete de diseño especial que incluye los siguientes elementos:

1. Pipeta Finnpipette
2. Herramienta de servicio
3. Herramienta de servicio multicanal
4. Punta Finntip de muestra
5. Tubo de grasa
6. Manual de instrucciones
7. Certificado de calibración
8. Colgador para estante
9. Dos adhesivos

ADVERTENCIA

El mantenimiento de la pipeta Finnpipette se puede llevar a cabo fácilmente en el laboratorio. Si desea que nosotros o su representante local realicemos este servicio, envíenos la pipeta, asegurándose de descontaminarla previamente. Tenga en cuenta que las autoridades del servicio de correos de su país pueden prohibir o limitar el envío de materiales contaminados.

製品について

フィンピペットF1は、液体の量を正確に採取して分注するための連続可変式汎用マイクロピペットです。フィンピペットF1は、空気置換（エアインターフェース）方式で動作し、取り外し可能な使い捨てチップを採用しています。

分注容量は、ハンドルにあるディスプレイ（表示窓）に表示されます。

フィンピペットF1の シングルチャンネル ピペットには12種類のモデルがあり、0.2 μ l から10 mlまでの容量範囲に対応しています。

製品番号	容量範囲	フィンチップ
4642010	0.2 μ l to 2 μ l	フレックス10
4642020	0.5 μ l to 5 μ l	フレックス10
4642030	1 μ l to 10 μ l	フレックス10
4642040	1 μ l to 10 μ l	250ユニバーサル、200 Ext、フレックス300
4642050	2 μ l to 20 μ l	50
4642060	2 μ l to 20 μ l	250ユニバーサル、200 Ext、フレックス300
4642070	10 μ l to 100 μ l	250ユニバーサル、200 Ext、フレックス300
4642080	20 μ l to 200 μ l	250ユニバーサル、200 Ext、フレックス300
4642090	30 μ l to 300 μ l	300、フレックス300
4642100	100 μ l to 1000 μ l	1000、フレックス1000
4642110	0.5 ml to 5 ml	5 ml
4642120	1 ml to 10 ml	10 ml、フレックス10 ml Ext

フィンピペットF1の容量固定ピペットには13種類のモデルがあり、1 μ lから10 mlまでの容量範囲に対応しています。

製品番号	容量範囲	フィンチップ
4652000	1 μ l	フレックス10
4652010	5 μ l	フレックス10
4652020	10 μ l	250ユニバーサル、300、200 Ext、フレックス300
4652030	25 μ l	250ユニバーサル、300、200 Ext、フレックス300
4652040	50 μ l	250ユニバーサル、300、200 Ext、フレックス300
4652050	100 μ l	250ユニバーサル、300、200 Ext、フレックス300
4652060	250 μ l	1000、フレックス1000
4652070	500 μ l	1000、フレックス1000
4652080	1000 μ l	1000、フレックス1000
4652090	2000 μ l	5 ml
4652100	3000 μ l	5 ml
4652110	5000 μ l	5 ml
4652120	10000 μ l	10 ml、フレックス10 ml Ext

フィンピペットF1のマルチチャンネルピペットには、次の10種類のモデルがあり、1 μ lから300 μ lまでの分注ができます。

製品番号	チャンネル数	容量範囲	フィンチップ
4662000	8	1 μ l to 10 μ l	フレックス10
4662010	8	5 μ l to 50 μ l	250ユニバーサル、200 Ext
4662020	8	10 μ l to 100 μ l	250ユニバーサル、200 Ext
4662030	8	30 μ l to 300 μ l	300、フレックス300
4662040	12	1 μ l to 10 μ l	フレックス10
4662050	12	5 μ l to 50 μ l	250ユニバーサル、200 Ext
4662060	12	10 μ l to 100 μ l	250ユニバーサル、200 Ext
4662070	12	30 μ l to 300 μ l	300、フレックス300
4662080	16	1 μ l to 10 μ l	フレックス10 (384)
4662090	16	5 μ l to 50 μ l	50

ディスプレイ

設定した容量は、ハンドルにある大きなデジタルディスプレイ（表示窓）にはっきり表示されます。



材質

フィンピペットF1は、耐摩耗性、耐薬品性に優れた材料で製造されています。

F1ピペットの部品には、抗菌剤の銀・ナトリウム水素リソリン酸ジルコニウムを含むものがあります。銀は広範囲の微生物の成長を抑制することで知られています。詳しくは、弊社（info.pipettes@thermofisher.com）までお問い合わせください。

70%エタノールなどの一般的な実験室用消毒剤は、抗菌処理に影響を及ぼさずに使用できます。

チップ

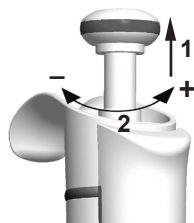
フィンチップは、フィンピペットF1と組み合わせて使用することをお勧めします。

フィンチップは、コンタミネーションがなく、チップに適した唯一の材質とされる無着色のポリプロピレン製です。また、フィンチップはオートクレーブ処理が可能です（121°）。

ピペットの操作

分注容量の設定

1. ピペットの上部にあるプッシュボタンを使って分注容量を設定します。容量設定をするときは、プッシュボタンを引き出します。
2. 分注容量を増やすには、プッシュボタンを反時計回りに回します。分注容量を減らすには、プッシュボタンを時計回りに回します。
3. 設定したい分注容量がカチッと正しい位置にセットされたことを確認してください。
4. 分注容量は、ピペットの規格範囲を超えて設定しないでください。規格範囲外までプッシュボタンを無理に回そうとすると、ピペットの故障や損傷の原因になることがあります。
5. プッシュボタンを押し下げて容量をロックします。



IDタグ

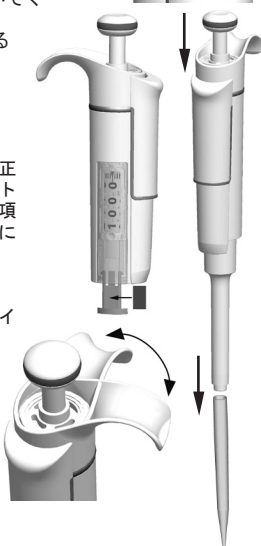
IDタグにはピペットの用途、使用者のイニシャル、較正日などを記入できます。タグを取り替えるにはピペットのモジュールを取り外します。ラベルに鉛筆で必要事項を記入し、タグをホルダーと一緒に元通りにスロットに滑り込ませます。

チップイジェクション

コンタミネーション防止のため、各ピペットにチップイジェクションシステムを装備しています。ピペットの先端を廃棄容器に向け、親指でチップイジェクタを押すと、チップに手を触れずに外すことができます。

フィンガーレストの調整

フィンガーレストは、中心位置からいずれの方向にも60度まで回転します。右利きの人は通常、フィンガーレストを左（反時計回り）に回すと、親指でチップイジェクションしやすい位置になります。図を参照してください。



ピペッティングテクニク

プッシュボタンの操作は常にゆっくり行い、特に粘性の高い液体を扱うときは、ゆっくりと押してゆっくりと離します。プッシュボタンをはじくような扱いは決してしないでください。

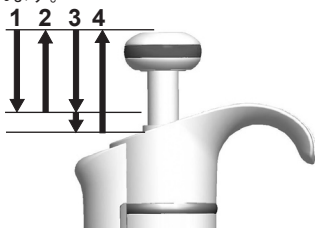
チップをチップコーンにしっかりと装着してください。チップ内部に異物が入っていないことを確認してください。

分注を始める前に、分注する溶液を2、3回吸排します。溶液を吸引するときは、ピペットを垂直に保ち、人差し指の上にフィンガーレストがかかるように握ってください。チップ、ピペットおよび溶液が同じ温度であることを確認してください。

フォワード法

分注する溶液をきれいな容器（リザーバー）に入れます。

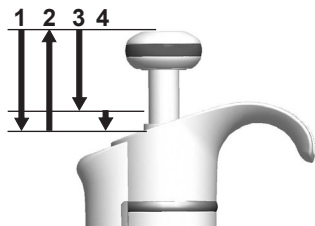
1. プッシュボタンを1段目まで押し下げます。
2. チップを分注液の液面から約1cm下まで浸し、プッシュボタンをゆっくりと離します。チップを溶液から引き上げ、容器の縁に先端を軽く触れて外側についた余分な溶液を除きます。
3. プッシュボタンを1段目まで静かに押し下げ、溶液を分注します。約1秒後に、プッシュボタンをさらに2段目まで押し下げます。この操作により、チップの中が空になります。
4. プッシュボタンを離してレディポジションに戻します。必要に応じてチップを交換し、ピペティングを続けます。



リバース法

リバース法は、粘性の高い液体や泡立ちやすい溶液の分注に適しています。また、微量分注にもお勧めします。分注する溶液をきれいな容器（リザーバー）に入れます。

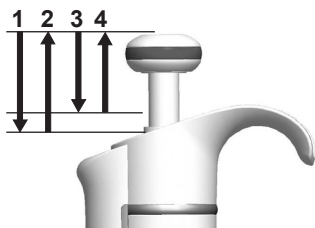
1. プッシュボタンを2段目まで押し下げます。
2. チップを分注液の液面から約1cm下まで浸し、プッシュボタンをゆっくりと離します。この操作により、チップが溶液で満たされます。チップを溶液から引き上げ、容器の縁に先端を軽く触れさせて外側についた余分な溶液を除きます。
3. プッシュボタンを1段目まで静かに押し下げ、設定した容量の溶液を分注します。プッシュボタンを1段目で止めます。チップの中に少量の溶液が残りますが、これは分注しません。
4. チップ内に残った溶液を、廃棄するか元の容器に戻します。



リピート法

リピート法は、同じ溶液を同じ容量だけ、繰り返すばやく分注するのに適しています。分注する溶液をきれいな容器（リザーバー）に入れます。

1. プッシュボタンを2段目まで押し下げます。
2. チップを分注液の液面から約1cm下まで浸し、プッシュボタンをゆっくりと離します。チップが溶液で満たされます。チップを溶液から引き上げ、容器の縁に先端を軽く触れて外側についた余分な溶液を除きます。
3. プッシュボタンを1段目まで静かに押し下げ、設定した容量の溶液を分注します。プッシュボタンを1段目で止めます。チップの中に少量の溶液が残りますが、これは分注しません。
4. 手順3と4を繰り返して分注を続けます。

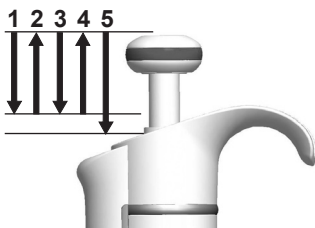


不均質サンプルの分注

（血糖値測定時の除蛋白操作など）

フォワード法の手順1と2に従って、チップに血液を吸引します。乾いたきれいなティッシュペーパーでチップを慎重に拭ってください。

1. 分注済みの試薬の中にチップを浸し、プッシュボタンを1段目まで押し下げます。チップの先端が常に試薬の液面より下にあることを確認してください。
2. プッシュボタンをゆっくりと離してレディポジションに戻します。チップの中に試薬が入ってきます。チップの先端を試薬に浸したままにしておきます。
3. プッシュボタンを1段目まで押し下げ、ゆっくりと離します。チップの内側が透明になるまでこの操作を繰り返します。
4. 最後にプッシュボタンを2段目まで押し下げ、チップの中を完全に空にします。



キャリブレーション

フィンピペットはすべて、蒸留水またはイオン交換水を使用し、フォワード法により工場出荷時にキャリブレーションを行っています。フォワード法以外の分注法では、結果が異なる場合があります。フィンピペットは、フォワード法以外で分注する場合や、温度や粘性の異なる液体を扱う場合容易に検定および容量調整を行うことができます。

使用機器と検定条件

分析用天秤が必要です。天秤の感量は、ピペットの検定容量に合わせて選択してください。

検定容量	感量
10 μ l未満	0.00 1 mg
10-100 μ l	0.01 mg
100 μ l超	0.1 mg

検定液は、蒸留水またはイオン交換水（ISO 3696「grade 3」に準拠するもの）を使用します。通風がなく、ピペット、チップ、検定液、室温が15~30°Cで安定（ $\pm 0.5^\circ\text{C}$ ）した状態で検定を行ってください。相対湿度は、50%以上必要です。特に50 μ l以下の容量では、できるだけ湿度が高い方が蒸発の影響を防ぐことができます。エヴァポレーショントラップなどのアクセサリを使用することもお勧めします。

検定

ピペットは、最大容量（通常容量）と最小容量で検定します。新しいチップを装着し、検定液の吸排を3~5回行った後、それぞれの容量について10回ずつピペッティングを行います。ピペットは、常に選択した容量を分注（Ex）するように調整します。フォワード法の使用をお勧めします。最大許容誤差は、フォワード法に合わせて定められています。

手順：

1. 最小容量で10回ピペッティングし、天秤でそれぞれの重量を測定します。
2. 最大容量で10回ピペッティングし、天秤でそれぞれの重量を測定します。
3. それぞれの容量について、不正確度（A）と不精密度（cv）を計算します。
4. 結果を表1の規格と比較します。

計算結果が選択した容量の規格値の範囲内ならば、ピペットが正常に調整されています。

表1：誤差の最大許容範囲（ISO8655準拠）

範囲	検定容量 μ l	不正確度		不精密度	
		μ l	%	s.d. μ l	cv%
0,2-2 μ l	2	± 0.080	± 4	0.040	2.0
	0.2	± 0.080	± 40	0.040	20.0
0,5-5 μ l	5	± 0.125	± 2.5	0.075	1.5
	0.5	± 0.125	± 25	0.075	15
1-10 μ l	10	± 0.120	± 1.2	0.080	0.8
	1	± 0.120	± 12	0.080	8.0
2-20 μ l	20	± 0.20	± 1.0	0.10	0.5
	2	± 0.20	± 10.0	0.10	5.0
10-100 μ l	100	± 0.80	± 0.8	0.30	0.3
	10	± 0.80	± 8.0	0.30	3.0
20-200 μ l	200	± 1.60	± 0.8	0.60	0.3
	20	± 1.60	± 8.0	0.60	3.0
30-300 μ l	300	± 4.0	± 1.3	1.5	0.5
	30	± 4.0	± 13	1.5	5.0
100-1000 μ l	1000	± 8.0	± 0.8	3.0	0.3
	100	± 8.0	± 8.0	3.0	3.0
0,5-5 ml	5000	± 40.0	± 0.8	15.0	0.3
	500	± 40.0	± 8.0	15.0	3.0
1-10 ml	10000	± 60.0	± 0.6	30.0	0.3
	1000	± 60.0	± 6.0	30.0	3.0

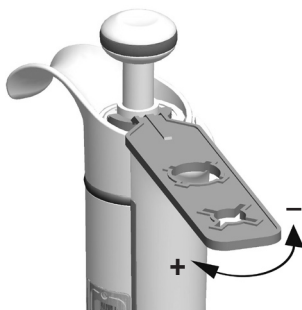
固定容量 μl		不正確度 %	不精密度	
	μl		s.d. μl	cv%
1	± 0.04	± 4.0	0.04	4.0
5	± 0.07	± 1.4	0.07	1.4
10	± 0.09	± 0.9	0.08	0.8
25	± 0.15	± 0.6	0.13	0.5
50	± 0.3	± 0.6	0.2	0.4
100	± 0.4	± 0.4	0.3	0.3
250	± 1.0	± 0.4	0.8	0.3
500	± 1.5	± 0.3	1.5	0.3
1000	± 3.0	± 0.3	0.3	0.3
2000	± 6.0	± 0.3	4.0	0.2
3000	± 9.0	± 0.3	6.0	0.2
5000	± 15.0	± 0.3	10.0	0.2
10000	± 30.0	± 0.3	20.0	0.2

範囲	チャンネル数	検定容量	不正確度		不精密度	
		μl	μl	%	s.d. μl	cv%
1-10 μl	8, 12, 16	10	± 0.24	± 2.4	0.16	1.6
		1	± 0.24	± 24	0.16	16
5-50 μl	8, 12, 16	50	± 1.0	± 2.0	0.4	0.8
		5	± 1.0	± 20	0.4	8.0
10-100 μl	8, 12	100	± 0.80	± 0.8	0.30	0.3
		10	± 0.80	± 8.0	0.30	3.0
30-300 μl	8, 12	300	± 8.0	± 2.7	3.0	1.0
		30	± 8.0	± 26.7	3.0	10.0

調整

調整には、サービスツールを使用します。

1. サービスツールを、ハンドル上端にあるキャリブレーションナットの開口部に差し込みます。
2. サービスツールを時計回りに回すと分注容量が増し、反時計回りに回すと分注容量が減ります。
3. 調整後に、上の手順に従って再度検定を行い、規格に適合するかどうかを確認してください。



計算式

重量から容量への変換

$$V = (w + e) \times Z$$

V = 容量 (μl)
 w = 重量 (mg)
 e = 蒸発量 (mg)
 Z = 変換係数 ($\mu\text{l}/\text{mg}$ 変換)

蒸発量は、特に微量の検定で問題になることがあります。蒸発量を調べるには、検定液を測定容器に分注し、天秤で重量を読み取って記録し、直ちにストップウォッチを押します。読み取り値が30秒でどのくらい減少するか（例えば6 mg = 0.2 mg/秒）を調べます。読み取った重量を風袋消去から読み取りまでにかかるピペッティング時間と比較します。1回のピペッティング（風袋消去-分注-読み取り）に10秒かかるとすると、この例では、蒸発量は2 mg (10s x 0.2mg/秒) になります。エヴァポレーショントラップや容器のふたなどを使用する場合は、通常、蒸発に関する補正は必要ありません。

変換係数Zは、検定時の温度および気圧での水の重量を容量に換算するための係数です。例えば、22°C、95kPaの場合は、1.0032 $\mu\text{l}/\text{mg}$ です。詳しくは、48ページの変換係数表を参照してください。

不正確度（システム誤差）

不正確度は、実際に分注された容量と設定した分注容量との差異です。

$$A = \bar{V} - V_0$$

A = 不正確度
 \bar{V} = 分注容量の平均値
 V_0 = 設定した分注容量

誤差は、以下の相対値として表すことができます。 $A\% = 100\% \times A / V_0$

不精度度 (ランダム誤差)

不精度度は、ピペティングの再現性を表します。不精度度は、標準偏差 (s) または変動係数 (cv) で表します。

$$S = \sqrt{\frac{\sum_{i=1}^n (V_i - \bar{V})^2}{n-1}}$$

s	=	標準偏差
\bar{V}	=	分注容量の平均値
n	=	測定回数

標準偏差は、以下の相対値 (CV) として表すことができます。CV = 100% x S / \bar{V}

メンテナンス

フィンピペットF1を使用しないときは、垂直に立てて保管してください。フィンピペット用スタンドを使うと便利です。

パーツ番号は、49ページ以降の分解図に対応しています。

短期点検

毎日、ピペットを使用する前に、ピペットにほこりや汚れが付いていないかどうかを確認してください。

特に、チップコーンについては注意が必要です。ピペットのクリーニングには、70%エタノール以外の溶剤は使用しないでください。

長期点検、シングルチャンネルピペット

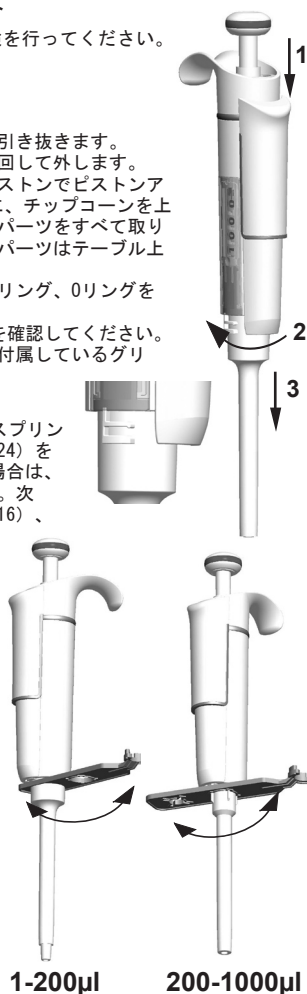
ピペットを毎日使用する場合は、3か月ごとに点検を行ってください。まず、ピペットを分解します。

1-1000 μ l ピペット

1. チップイジェクタを押します。
2. チップイジェクタ (11) を反時計回りに回して引き抜きます。
3. サーピストツールでチップコーンを反時計回りに回して外します。
4. ピストンとその他のパーツを引き抜きます。ピストンでピストンアセンブリの残りのパーツを押し出します。次に、チップコーンを上下逆さまにし、軽くたたいてチップコーンからパーツをすべて取り出します。あとで組み立て直すときに備えて、パーツはテーブル上に順番に置いてください。
5. けばのない乾いた布でピストン、ピストンスプリング、Oリングを拭きます。
6. チップコーンの内部に異物が入っていないことを確認してください。
7. クリーニングの終わったパーツに、ピペットに付属しているグリースを塗布します。
8. ピペットのパーツを組み立てます。

0.2-2 μ l、0.5-5 μ lおよび1-10 μ l : まず、スプリング (22)、Oリングサポート (23)、Oリング (24) をチューブ (21) に通します。0.2-2 μ lモデルの場合は、チューブ (27) をチューブ (21) に挿入します。次に、スプリング (13)、スプリングサポート (16)、チューブ (17、18)、Oリング (大、19) とOリング (小、20) を元通りにピストンに通します。ピストンとスプリングサポート (16) を指で押し合わせてスプリングを圧縮し、チューブ (21) を他のパーツと一緒にピストンに通します。スプリングを圧縮したまま、組み立てたアセンブリ体をチップコーンに慎重に滑り込ませ、スプリングを離します。

2-20 μ l : スプリング (13)、スプリングサポート (16)、チューブ (17、18)、Oリング (大、19)、Oリング (小、20) を元通りにピストンに通します。ピストンとスプリングサポート (16) を指で押し合わせてスプリングを圧縮し、Oリング (大、19)、Oリング (小、20)、スプリングサポート (21)、スプリング (22) (スプリングサポート (21) より直径が小さい) をピストンに通します。スプリングを圧縮したまま、組み立てたアセンブリ体をチップコーンに慎重に滑り込ませ、スプリングを離します。



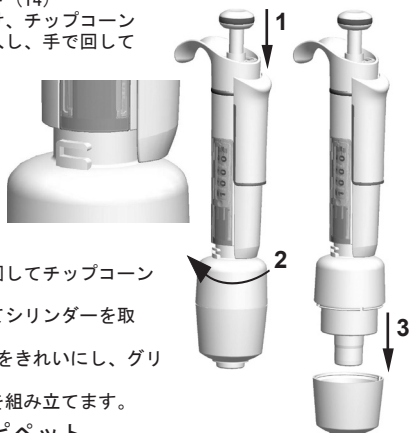
10-100 µlおよび20-200 µl : スプリング (13)、スプリングサポート (16)、0リング (17) を元通りにピストンに通します。組み立てパーツ全体をチップコーンに滑り込ませます。

100-1000µL : 0リング (17) とサポートリング (16) をチップコーンに取り付けます。スプリング (13) をピストンに通し、組み立てたアセンブリをチップコーンに滑り込ませます。

- 共通 : スプリング (15) とサポート (14) をチップコーンの最上部に取り付け、チップコーンアセンブリを慎重にハンドルに挿入し、手で回して締めます。
- チップイジェクタを組み立てます。

0. 5-5mlおよび1-10 ml ピペット

- チップイジェクタを押します。
- チップイジェクタ (10) を反時計回りに回して開けます。
- チップイジェクタ (14、留め具) の下部を分解します。
- シリンダー (13) を反時計回りに回してチップコーンアセンブリを引き抜きます。
- シリンダー (13) の留め具を押してシリンダーを取り外します。
- 0リング (12) とシリンダー (13) をきれいにし、グリースを塗布します。
- 分解したときの逆の順序でパーツを組み立てます。



長期点検、マルチチャンネルピペット

ピペットを毎日使用する場合は、3か月ごとに点検し、グリースを塗布してください。

- サービスツールのヘッドNo. 1をリング (15) とイジェクタ (23) の間に差し込みます。パーツが互いにカチッと合まるまでツールを押し込みます。
- イジェクタのレバーが上がった状態であることを確認して、モジュールのチップイジェクタ部分を引き下げます。
サービスツールのヘッドNo. 2をアダプタチューブ (46) の開口部に差し込みます。
- チップイジェクタの上端部を少し開けて、チップイジェクタを取り外します。
- ハンドルのモジュールのねじを回して取り外します。
- スプリング (13) を押し、ロックリング (12) を外します。スプリング (13) を外します。
- ロックつまみ (44、45) を外し、アダプタチューブ (46) とチューブ (43) を引き抜きます。
- ドライバを使用してモジュール・カバーに装着された4個/6個のネジ (20、21) を外し、カバーを取り外します。
- ピストンバー (16) を取り外し、けばのない乾いた布でピストン (31) およびチップコーン (42) を拭きます。
- 必要な場合は、チップコーンを点検します。

16チャンネル1-10µl : チップコーンの点検はできません。必要に応じて交換してください。

30-300 µl、10-100µlおよび5-50 µl : ドライバを使用して、スナップジョイントからカバーリング (32) を慎重に離し、チップコーンを開きます。チップコーンからすべてのパーツを取り外します。すべてのパーツを掃除します。必要な場合は、0リングを交換します。ピストンを1つ取り取ります。スプリング (33)、カバーリング (大、32)、スプリング (34)、サポートリング (35)、0リング (大、37) 5-50µL、0リング (小、36) をピストンに通します。0リングに、ピペットに同封されているグリースを塗布します。すべてのパーツをチップコーン (30) に滑り込ませ、カバーリング (32) のスナップジョイントを閉じます。

1-10 µl : ドライバを使用して、スナップジョイントからカバーリング (32) を慎重に離し、チップコーンを開きます。チップコーンからすべてのパーツを取り外します。すべてのパーツを掃除します。必要な場合は、0リングを交換します。ピストンを1つ取り取ります。スプリング (33)、カバーリング (大、32)、サポート (35)、0リング (大、36)、0リング (小、37)、0リングサポート (38) をピストンに通します。次に、スプリング (39)、スプリングサポート (40、尖っている方から)、0リング (41) を0リングサポート (38) に通します。0リングに、ピペットに同封されているグリースを塗布します。すべてのパーツをチップコーン (30) に滑り込ませ、カバーリング (32) のスナップジョイントを閉じます。

- ピストンバー (16) のカバーにピストンおよびチップコーンを取り付け、4個/6個のネジ (20、21) でカバーを閉めます。

11. アダプタチューブ (46) とチューブ (43) をモジュールのくびの部分にセットし、ロックつめ (44、45) を挿入します。
12. ピストンロッド (16) にスプリング (13) とロック (12) を挿入します。
13. モジュールの上にチップジェクタをセットします。
14. モジュールのハンドルのねじを回し、サービスツールのヘッドNo. 2で締めます。
15. チップジェクタのレバーを「カチッ」と音がするまで押し下げます。

マルチチャンネルピペットのチップコーン交換

マルチチャンネルピペットのすべてのチャンネルにおいて均一の性能を保証するために、チップコーンの一部を交換する必要がある場合には、同時にすべてのチップコーンを交換してください。交換用パーツのパッケージにはセットされたチップコーンが入っていますので、別のパッケージのチップコーンと混ぜないでください。

トラブルシューティング

症状	原因	対処方法
液漏れ	チップが正しく装着されていない	チップをしっかり装着する
	チップコーンとチップの間に異物がある	チップコーンをきれいにし、新しいチップを装着する
	ピストン、0-リング及びシリンダの間に異物がある	ピストン、0-リングとシリンダをきれいにし、グリースを塗る
	グリース切れ	0-リング、シリンダ、ピストンにグリースを塗る
	0-リングの磨耗	0-リングを交換する
分注精度が悪い	操作が正しく行われていない	取扱説明書にしたがって注意深く操作する
	チップが正しく装着されていない	チップをしっかり装着する
	キャリブレーションのずれ (誤操作などのため)	取扱説明書にしたがってキャリブレーションを行う
特定の液体の分注精度が悪い	不適切なキャリブレーション (粘性の高い液体はその液体でキャリブレーションを行う必要がある)	分注する液体を使用してキャリブレーションを行う

注意!

フィンピペットは、ユーザーの皆様自身で簡単にメンテナンスしていただけるように設計されています。修理や検定のために販売元へ返送される場合には、返送前に必ず汚染除去/消毒を行ってください。

パッケージ

Finnpipette F1 は、専用パッケージに入れてお届けします。パッケージ内容は以下のとおりです：

1. Finnpipette F1
2. サービスツール
3. マルチチャンネルサービスツール
4. Finntip (サンプル)
5. チューブ入グリース
6. 取扱説明書
7. 検定証明書兼保証書
8. シェルフハンガー
9. シール2枚

保証規定

万一、故障、不具合が生じた場合には、下記の規定に従って修理させていただきます。ご購入いただきました販売店または下記の輸入販売元にお申し付けください。

保証期間	ご購入の日から3年間（但し、Web登録した場合は5年間。 保証登録URL： www.thermofisher.co.jp/finn/w ）
保証書	同封の「Finnpipette Warranty Certificate(英文)」が保証書となります。 紛失しないよう大切に保管してください。
無償修理の範囲	以下の条件を満たす場合は、無償で修理いたします。 <ol style="list-style-type: none">1. 保証期間内であること。2. 保証書（Finnpipette Warranty Certificate, 英文）の添付があること。3. 本取扱説明書にしたがい、通常の用法でご使用の場合。4. フィンピペットに、純正フィンチップを組合せてご使用の場合。5. その他製造上、材質上の欠陥が原因と認められた場合。
有償修理の範囲	以下の場合の修理は、保証期間内であっても、有償とさせていただきます。 <ol style="list-style-type: none">1. 誤った使用が原因の故障または損傷。2. 不当な修理改造による故障または損傷。3. 納品後の移動、輸送あるいは落下が原因の場合。4. 火災、天災地変その他不可抗力の災害による場合。5. 過度の使用が原因の摩耗、損傷。6. O-リング等の消耗部品の摩耗。7. キャリブレーションまたはクリーニングを依頼される場合。8. 物理的損傷または化学薬品による損傷。9. 保証書（Finnpipette Warranty Certificate, 英文）の添付がない場合。
輸入販売元	サーモフィッシャーサイエンティフィック株式会社 ラボプロダクツ事業本部 〒221-0022 横浜市神奈川区守屋町3-9 C棟 問合せ先 フィンピペットサービス TEL 045-453-9227 FAX 045-453-9228

Conversion table

Value of the conversion factor Z ($\mu\text{l}/\text{mg}$), as a function of temperature and pressure, for distilled water.

Umrechnungstabelle

Wert des Umrechnungsfaktors Z ($\mu\text{l}/\text{mg}$) als eine Funktion von Temperatur und Druck für destilliertes Wasser.

Table de conversion

Valeur du facteur de conversion Z ($\mu\text{l}/\text{mg}$), comme fonction de la température et de la pression, pour de l'eau distillée.

Tabla de conversiones

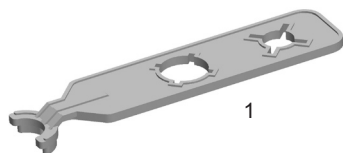
Valor del factor de conversión Z ($\mu\text{l}/\text{mg}$), como función de temperatura y presión, para el agua destilada.

変換係数表

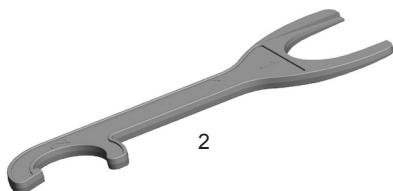
変換係数 Z ($\mu\text{l}/\text{mg}$)は温度と気圧の関数になります。蒸留水の場合の値を表に示します。

Temperature °C	Air pressure kPa						
	80	85	90	95	100	101,3	105
15,0	1,0017	1,0018	1,0019	1,0019	1,0020	1,0020	1,0020
15,5	1,0018	1,0019	1,0019	1,0020	1,0020	1,0020	1,0021
16,0	1,0019	1,0020	1,0020	1,0021	1,0021	1,0021	1,0022
16,5	1,0020	1,0020	1,0021	1,0021	1,0022	1,0022	1,0022
17,0	1,0021	1,0021	1,0022	1,0022	1,0023	1,0023	1,0023
17,5	1,0022	1,0022	1,0023	1,0023	1,0024	1,0024	1,0024
18,0	1,0022	1,0023	1,0023	1,0024	1,0025	1,0025	1,0025
18,5	1,0023	1,0024	1,0024	1,0025	1,0025	1,0026	1,0026
19,0	1,0024	1,0025	1,0025	1,0026	1,0026	1,0027	1,0027
19,5	1,0025	1,0026	1,0026	1,0027	1,0027	1,0028	1,0028
20,0	1,0026	1,0027	1,0027	1,0028	1,0028	1,0029	1,0029
20,5	1,0027	1,0028	1,0028	1,0029	1,0029	1,0030	1,0030
21,0	1,0028	1,0029	1,0029	1,0030	1,0031	1,0031	1,0031
21,5	1,0030	1,0030	1,0031	1,0031	1,0032	1,0032	1,0032
22,0	1,0031	1,0031	1,0032	1,0032	1,0033	1,0033	1,0033
22,5	1,0032	1,0032	1,0033	1,0033	1,0034	1,0034	1,0034
23,0	1,0033	1,0033	1,0034	1,0034	1,0035	1,0035	1,0036
23,5	1,0034	1,0035	1,0035	1,0036	1,0036	1,0036	1,0037
24,0	1,0035	1,0036	1,0036	1,0037	1,0037	1,0038	1,0038
24,5	1,0037	1,0037	1,0038	1,0038	1,0039	1,0039	1,0039
25,0	1,0038	1,0038	1,0039	1,0039	1,0040	1,0040	1,0040
25,5	1,0039	1,0040	1,0040	1,0041	1,0041	1,0041	1,0042
26,0	1,0040	1,0041	1,0041	1,0042	1,0042	1,0043	1,0043
26,5	1,0042	1,0042	1,0043	1,0043	1,0044	1,0044	1,0044
27,0	1,0043	1,0044	1,0044	1,0045	1,0045	1,0045	1,0046
27,5	1,0045	1,0045	1,0046	1,0046	1,0047	1,0047	1,0047
28,0	1,0046	1,0046	1,0047	1,0047	1,0048	1,0048	1,0048
28,5	1,0047	1,0048	1,0048	1,0049	1,0049	1,0050	1,0050
29,0	1,0049	1,0049	1,0050	1,0050	1,0051	1,0051	1,0051
29,5	1,0050	1,0051	1,0051	1,0052	1,0052	1,0052	1,0053
30,0	1,0052	1,0052	1,0053	1,0053	1,0054	1,0054	1,0054

Spare parts
Ersatzteile
Pieces detachees
Piezas de recambio
 パーツ及び付属品



1



2



3

1-10 ml
6-10 ml Fixed

0.5-5 ml
2-5 ml Fixed



10



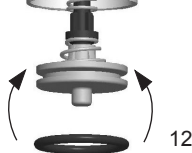
10



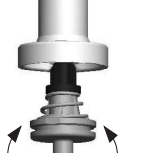
11



11



12



12



13



13



14



14

1 µl - 10 ml

1. 1062800

1-300 µl MCP

2. 1062930

1-10 ml

6-10 ml Fixed

2212260

3. 2212060

3. 2212570 10ml

0.5-5 ml

2-5 ml Fixed

2212250

3. 2212050

3. 2212560 5ml

3. 2212550 3ml

3. 2212540 2ml

100-1000µl
250 / 500 / 1000µl
Fixed



30-300µl



100-1000µl
250 µl Fixed
500 µl Fixed
1000µl Fixed
2212240

- 3. 2212040
- 3. 2212510 **250µl**
- 3. 2212520 **500µl**
- 3. 2212530 **1000µl**

30-300µl 2212220

- 3. 2212030

20-200µl



10-100µl
25 / 50 / 100µl
Fixed



20-200µl 2212210

3. 2212020

10-100µl

25 µl Fixed

50 µl Fixed

100 µl Fixed

2212200

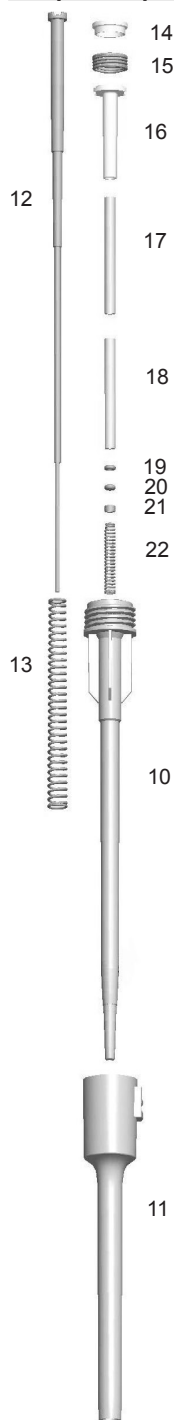
3. 2212010

3. 2212480 **25µl**

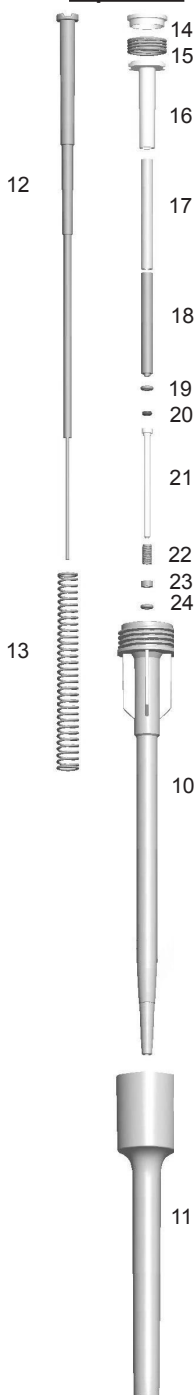
3. 2212490 **50µl**

3. 2212500 **100µl**

2-20 μ l / 2-20 μ l Micro



1-10 μ l / 1-10 μ l Micro
10 μ l Fixed



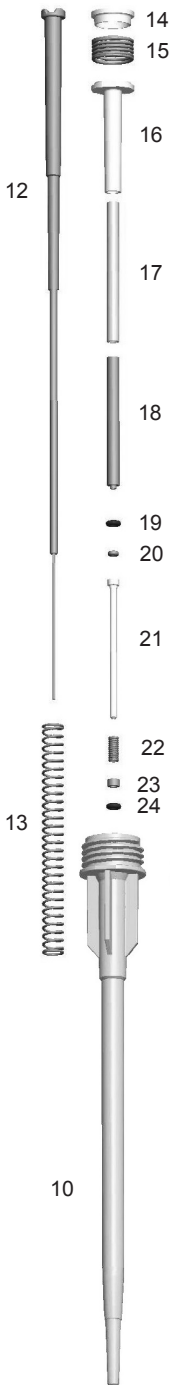
2-20 μ l
2212190
2-20 μ l Micro
2212180

3. 2212000
3. 221990 Micro

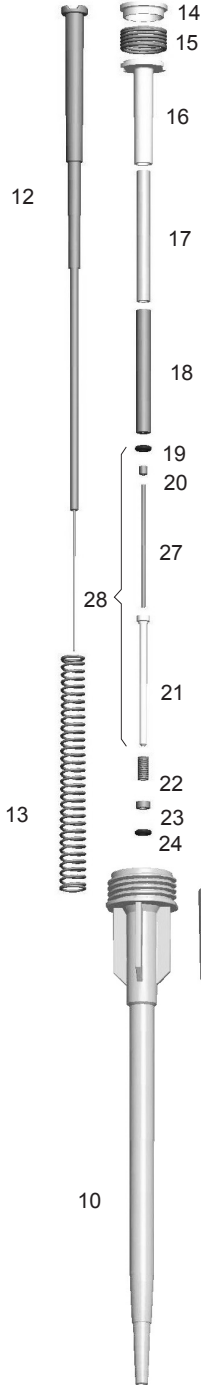
1-10 μ l
10 μ l Fixed
2212170
1-10 μ l Micro
2212110

3. 2211980
3. 2211970 Micro
3. 2212470 10 μ l

0.5-5 μ l
5 μ l Fixed



0.2-2 μ l
1 μ l Fixed



0.5-5 μ l
5 μ l Fixed
2212100

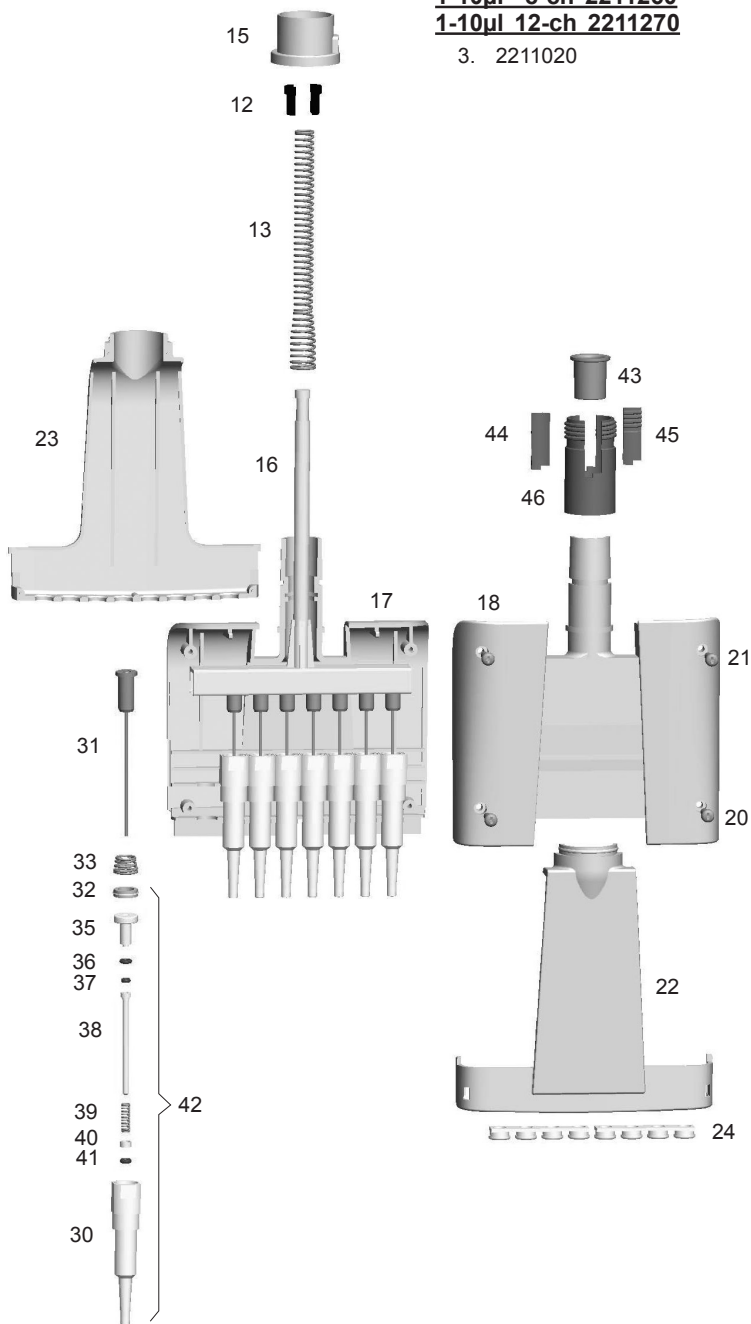
- 3. 2211960
- 3. 2212460 5 μ l

0.2-2 μ l
1 μ l Fixed
2212090

- 3. 2211950
- 3. 2212450 1 μ l

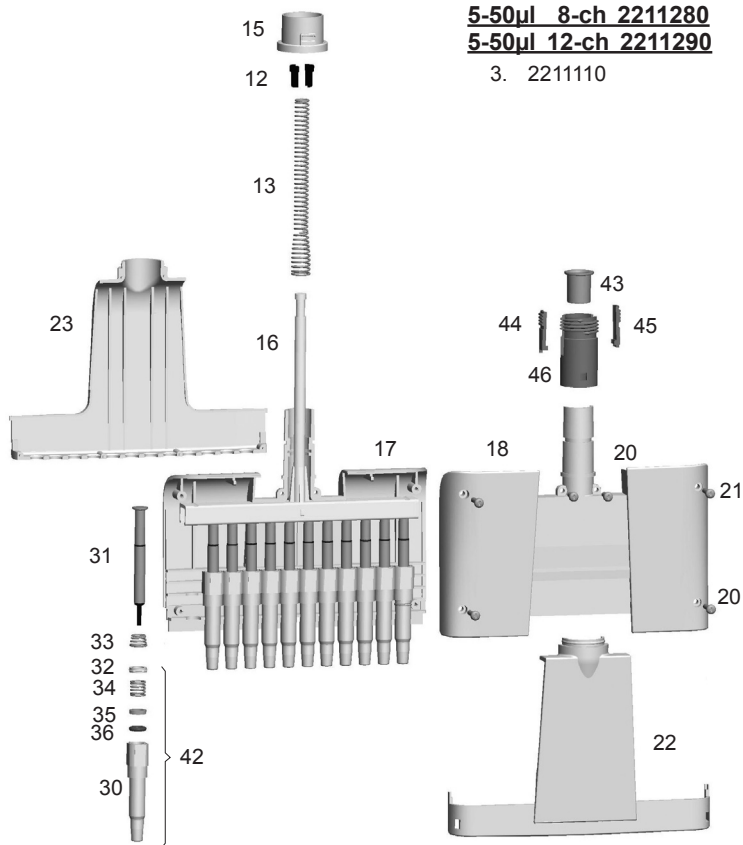
1-10 μ l 8-ch 2211260
1-10 μ l 12-ch 2211270

3. 2211020



5-50 μ l 8-ch 2211280
5-50 μ l 12-ch 2211290

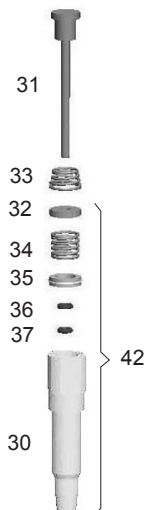
3. 2211110



10-100 μ l



5-50 μ l

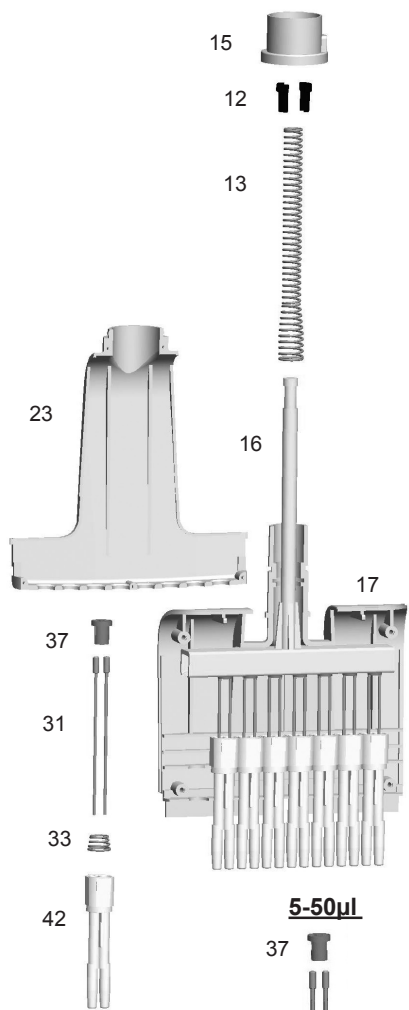


10-100 μ l 8-ch 2211300
10-100 μ l 12-ch 2211310

3. 2211060

30-300 μ l 8-ch 2211320
30-300 μ l 12-ch 2211330

3. 2211120

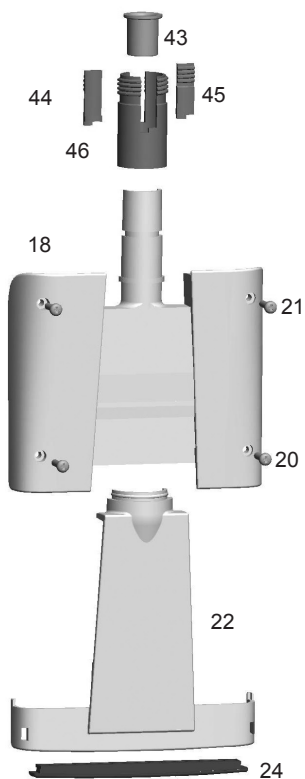


1-10µl 16-ch 2211340

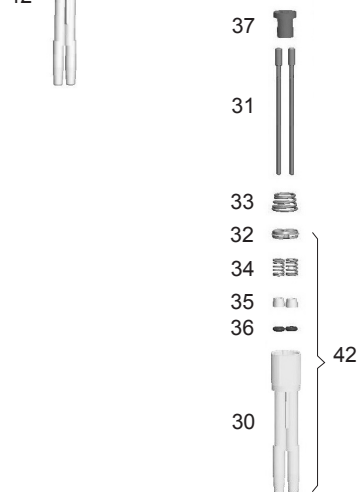
3. 2211830

5-50µl 16-ch 2211350

3. 2211110



5-50µl



Tip Ordering Information
Bestellinformation: Pipettenspitzen
Renseignements pour commander des cônes
Información para pedidos del portapuntas
チップの注文について

Code	Finntip	Volume	Qty
* 9400300	10 Micro	0,2-10 µl	10x96/rack
9400303	10 Micro sterile	0,2-10 µl	10x96/rack
* 9400370	50 Micro	0,2-50 µl	10x384/rack
9400373	50 Micro sterile	0,2-50 µl	10x384/rack
9400130	200 Ext	5-200 µl	10x96/rack
9400133	200 Ext sterile	5-200 µl	10x96/rack
* 9400260	250 Univ.	0,5-250 µl	10x96/rack
9400263	250 Univ. sterile	0,5-250 µl	10x96/rack
* 9401250	300	5-300 µl	10x96/rack
9401253	300 sterile	5-300 µl	10x96/rack
* 94060510	Flex 300	0,5-300 µl	10x96/rack
94060513	Flex 300 sterile	0,5-300 µl	10x96/rack
* 9401110	1000	100-1000 µl	10x96/rack
9401113	1000 sterile	100-1000 µl	10x96/rack
94060810	Flex 1200	100-1200 µl	10x96/rack
94060813	Flex 1200 sterile	100-1200 µl	10x96/rack
* 9402070	5 ml	1-5 ml	5x54/rack
9402073	5 ml sterile	1-5 ml	5x54/rack
* 9402160	10 ml	2-10 ml	5x24/rack
9402163	10 ml sterile	2-10 ml	5x24/rack

*** Also available in bags**

Code	Finntip Filter	Volume	Qty
94052000	10 Micro sterile	0,2-10 µl	10x96/rack
94052020	20 Micro sterile	0,5-20 µl	10x384/rack
94052060	50 Micro sterile	0,2-50 µl	10x384/rack
94052100	10 sterile	0,5-10 µl	10x96/rack
94052150	20 sterile	0,5-20 µl	10x96/rack
94052160	30 sterile	0,5-30 µl	10x96/rack
94052200	100 µl sterile	0,5-100 µl	10x96/rack
94052310	100 µl Ext sterile	5-100 µl	10x96/rack
94052300	200 µl sterile	0,5-200 µl	10x96/rack
94052320	200 µl Ext sterile	5-200 µl	10x96/rack
94052350	300 µl sterile	5-300 µl	10x96/rack
94052410	1000 µl sterile	100-1000 µl	10x96/rack
94052430	1000 µl Ext sterile	100-1000 µl	5x96/rack
94052550	5 ml sterile	1-5 ml	5x54/rack
94052600	10 ml sterile	2-10 ml	5x24/rack

Thermo Fisher Scientific Oy
Ratastie 2, P.O.Box 100
FI-01621 Vantaa
Finland

info.pipettes@thermofisher.com
www.thermo.com/finnpipette

1508720